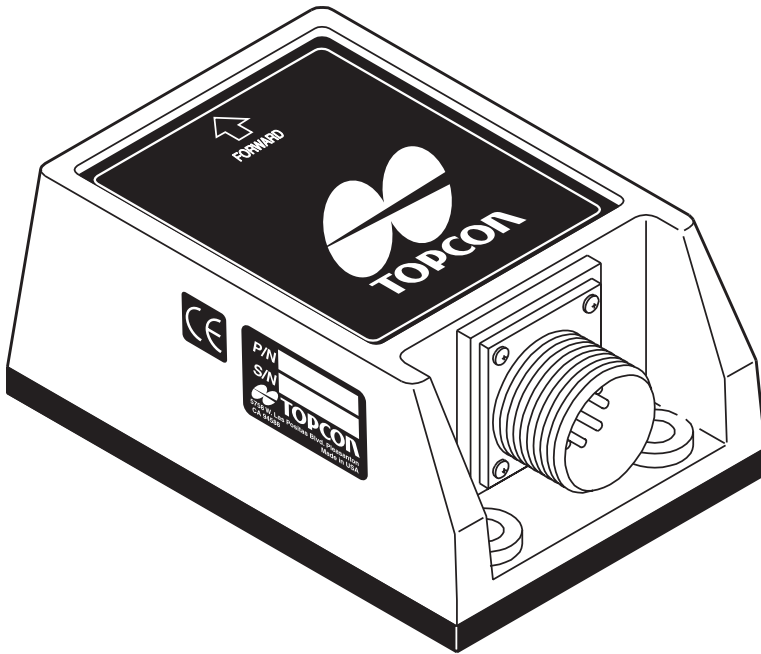




SYSTEM FIVE PLUS SLOPE SENSOR 9150P/9152P/9152V

Doc. #7011-0105 Rev.C ECO #3036



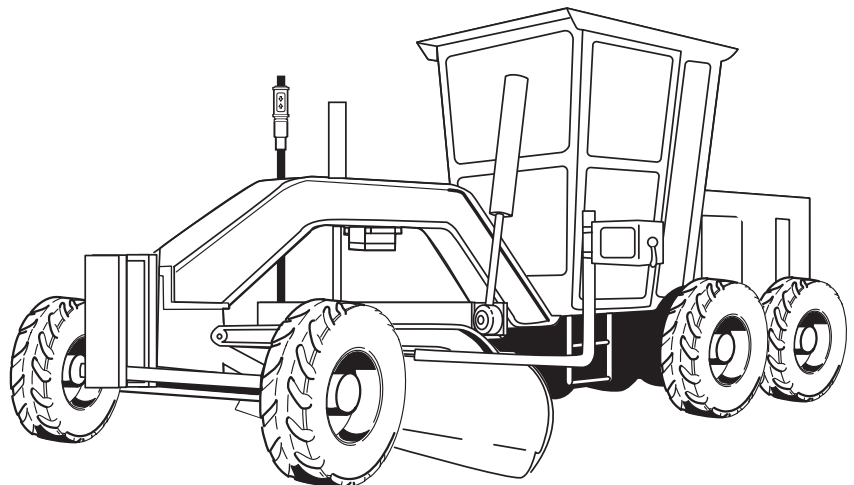
DESCRIPTION

The slope sensor allows for precise measurement of cross slope whenever needed by a System Four or System Five application. The sensor follows the System Four RS-485 communication protocol developed by Topcon to provide the first digital communication system available for construction machine automation.

The slope sensor features a temperature compensated sensing element to provide superior performance in any condition.

FEATURES

- Superior accuracy and response
- Rugged sealed electronics
- Compatible with all System Four and System Five control boxes



TOPCON Positioning Systems, Inc.

7400 National Drive • Livermore, CA 94550 • (925) 245-8300 FAX (925) 245-8583

© Copyright 2007 Topcon Positioning Systems Inc.

Specifications subject to change without notice.



SYSTEM FIVE PLUS

SLOPE SENSOR 9150P/9152P/9152V

Doc. #7011-0105 Rev.C ECO #3036

SPECIFICATIONS

ELECTRICAL

RESOLUTION	+/- 0.025% slope	
RANGE	9150P	+/- 0-20% slope
	9152P	+/- 0-100% slope
	9152V	+/- 0-100% slope
SUPPLY VOLTAGE	10-30 VDC	
SUPPLY CURRENT	200mA	Typical operating current
EMISSIONS	Applicable regulation: EN55022:1994	
	30-230MHz	40dB (mV/m) Max at 10m
	230-1000MHz	47dB (mV/m) Max at 10m
IMMUNITY	Applicable regulation: EN50082-1:992	
	ESD:	±8KV
	RF:	27 to 500MHz 3V/m
	Fast transient	±0.5KV capacitively coupled
NETWORK	Topcon proprietary RS-485 network port	

PHYSICAL

HOUSING	Cast aluminum Note: See envelope dimensions section Weather resistant Epoxy sealed electronics
CONNECTORS	MIL-C-5015 cylindrical connectors Gold Plated contacts Conductive anticorrosive coating 10-pin screw

ENVIRONMENTAL

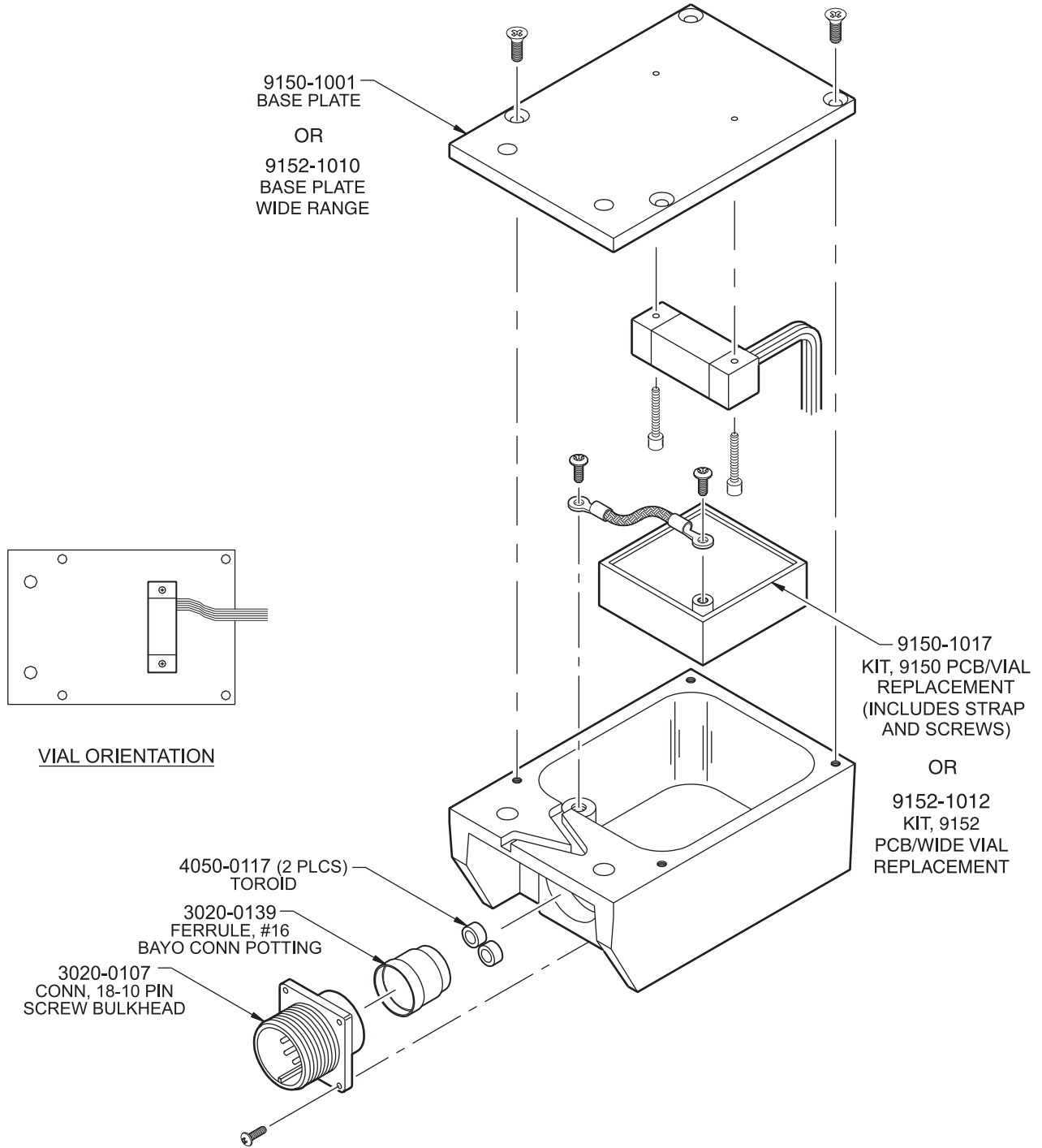
OPERATING TEMPERATURE	-20°C to 60°C
VIBRATION	5G's 0-100Hz any axis
MOISTURE	MIL STD 810D Method 506 95% Humidity at 60° Soak

SYSTEM FIVE PLUS

SLOPE SENSOR 9150P/9152P/9152V

Doc. #7011-0105 Rev.C ECO #3036

SERVICE PARTS



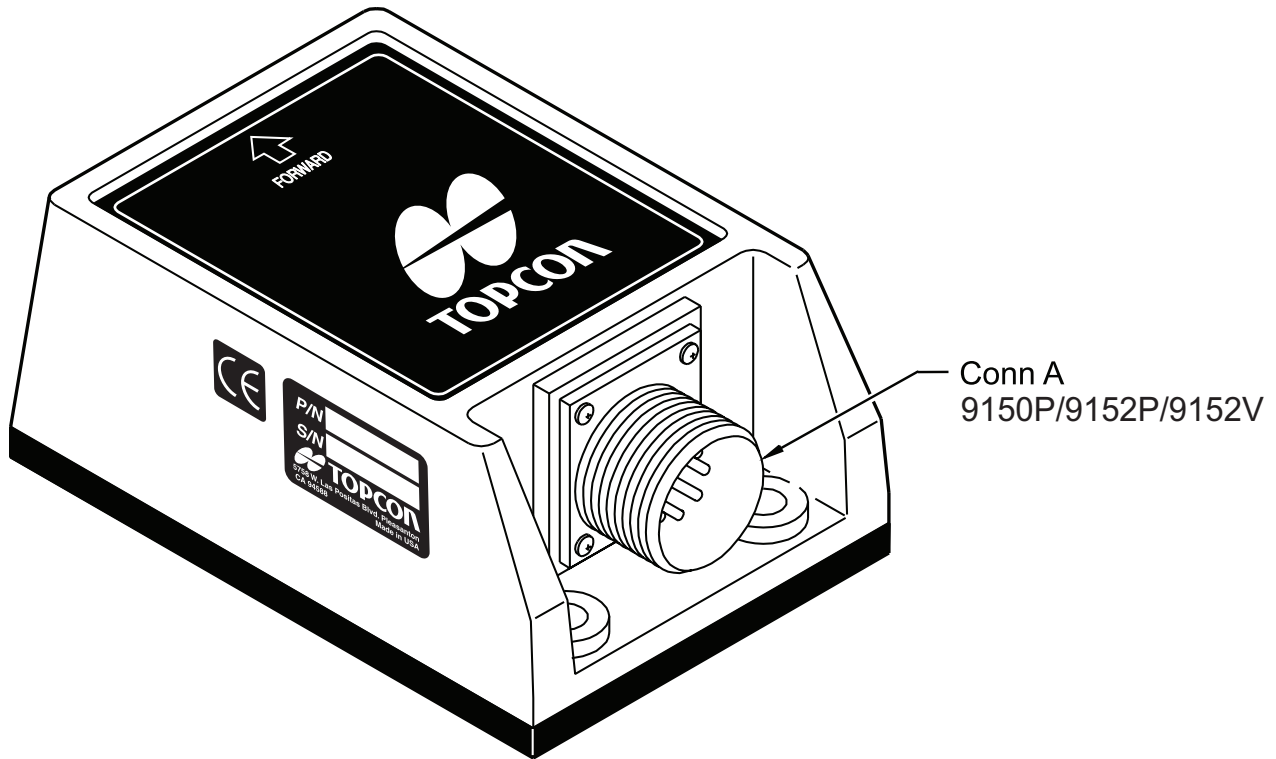
TOPCON Positioning Systems, Inc.

7400 National Drive • Livermore, CA 94550 • (925) 245-8300 FAX (925) 245-8583

© Copyright 2007 Topcon Positioning Systems Inc.

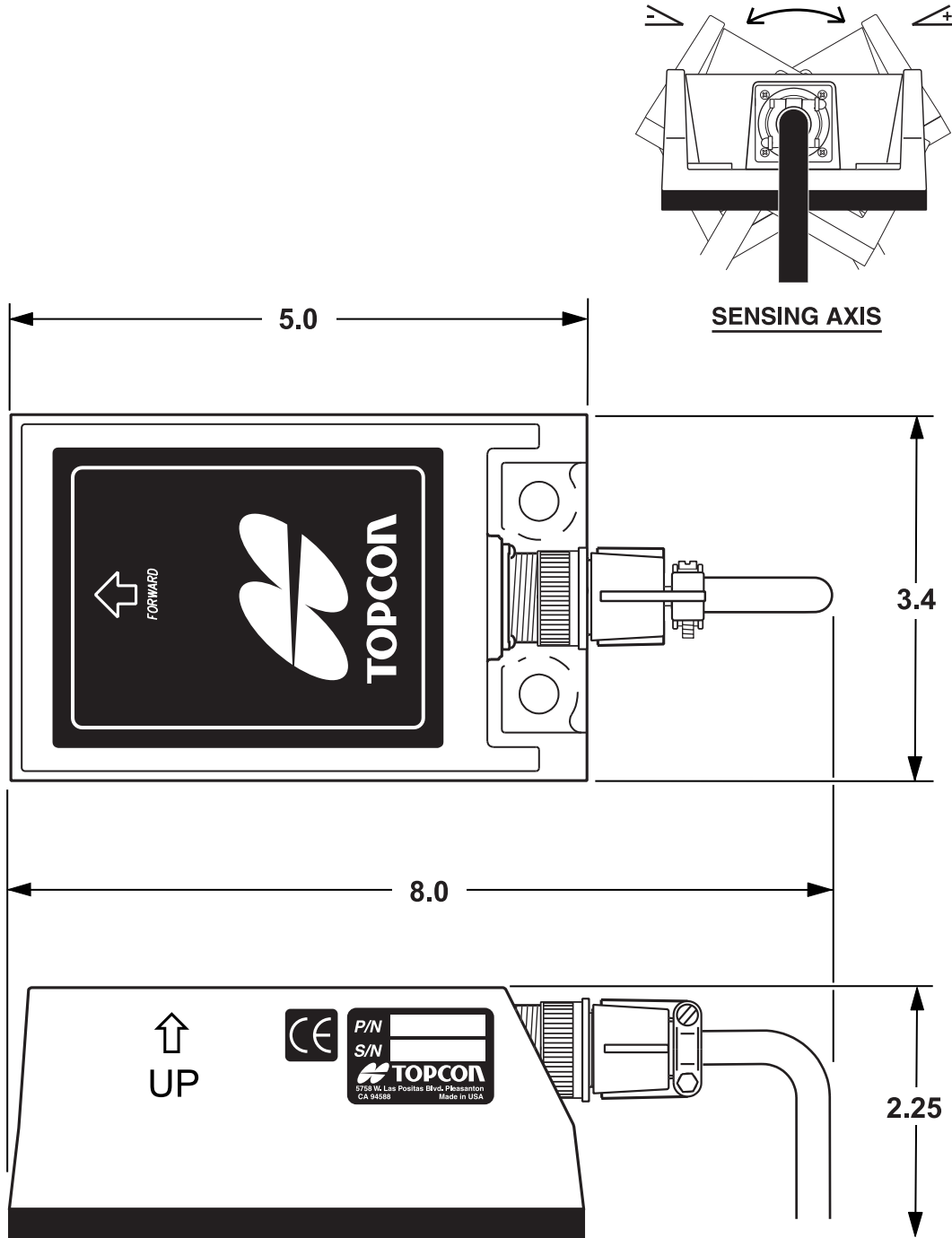
Specifications subject to change without notice.

CONNECTOR PINOUTS



Conn A (10 Pin Screw)	
A	Comm A
B	Comm B
C	V Batt
D	Ground
E	
F	Analog Ref
G	Rotate/Analog In
H	
I	
J	

ENVELOPE DIMENSIONS



TOPCON Positioning Systems, Inc.

7400 National Drive • Livermore, CA 94550 • (925) 245-8300 FAX (925) 245-8583

© Copyright 2007 Topcon Positioning Systems Inc.

Specifications subject to change without notice.