

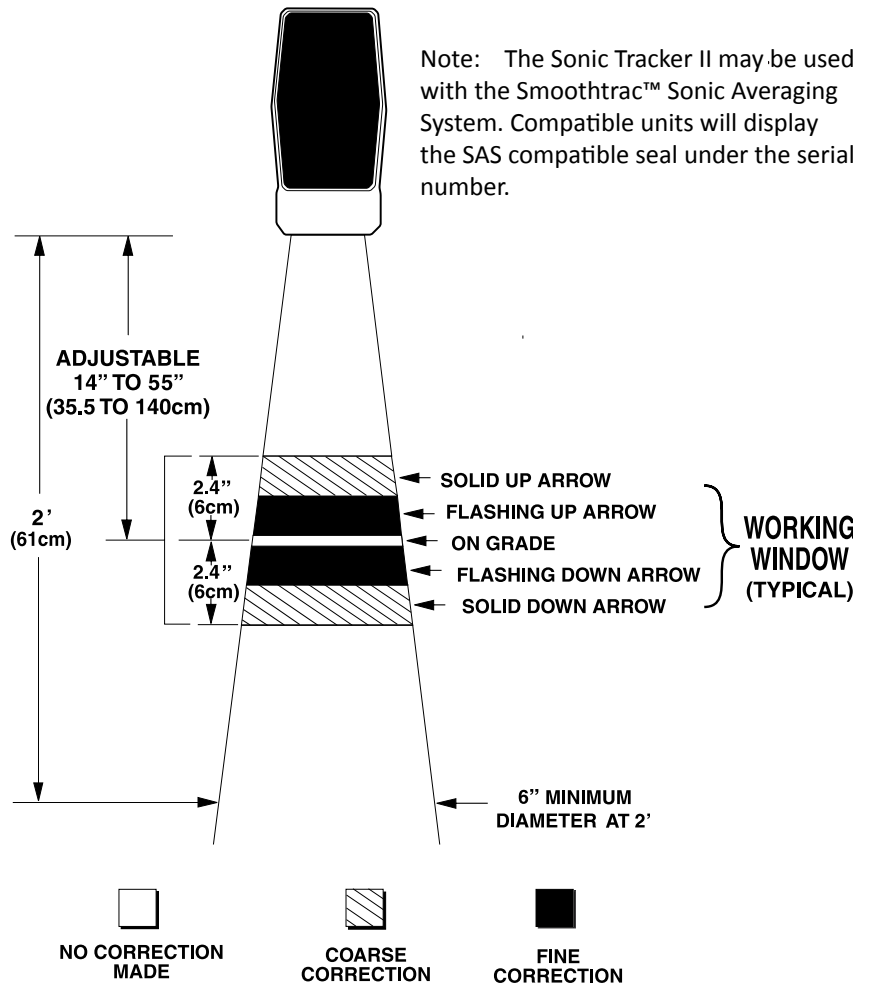
Description

The Sonic Tracker II is Topcon's patented second generation Sonic Tracker. The new tracker was designed after years of experience with the 9140 tracker that introduced non-contacting sonic grade controls to the construction industry.

The Sonic Tracker II contains two types of temperature compensation. By using the temperature sensor on the back of the unit, as well as the temperature bail, the unit measures a fixed distance to compensate for any atmospheric disturbance that may affect performance. Add smart controller features, such as Averaging and Temperature Cutout, and you have the most stable and accurate grade sensor available in the construction industry.

Features

- Industry standard accuracy
- Bright grade indication lights
- Snap on temperature bail
- Field replaceable sonic transducers and filters
- Rugged sealed electronics
- Patented Working Window



Specifications

Electrical

RESOLUTION	.0025ft	
SUPPLY VOLTAGE	10-30 VDC	
SUPPLY CURRENT	200mA	Typical operating current
EMISSIONS	Applicable regulation: EN55022:1994	
	30-230MHz	40dB (mV/m) Max at 10m
	230-1000MHz	47dB (mV/m) Max at 10m
IMMUNITY	Applicable regulation: EN50082-1:1992	
	ESD:	±8KV
	RF:	27 to 500MHz 3V/m
	Fast transient:	±0.5KV capacitively coupled
WORKING WINDOW (Adjustments may be controlled through control box)	Patented	#4733355
	Coarse	.15ft (4.5cm)
	Fine	.05ft (1.52cm)
	Ongrade	Adjustable
TRANSDUCER FREQUENCY	50kHz burst / 40Hz max rep rate	
CONE SIZE	6in minimum diameter at 2ft	

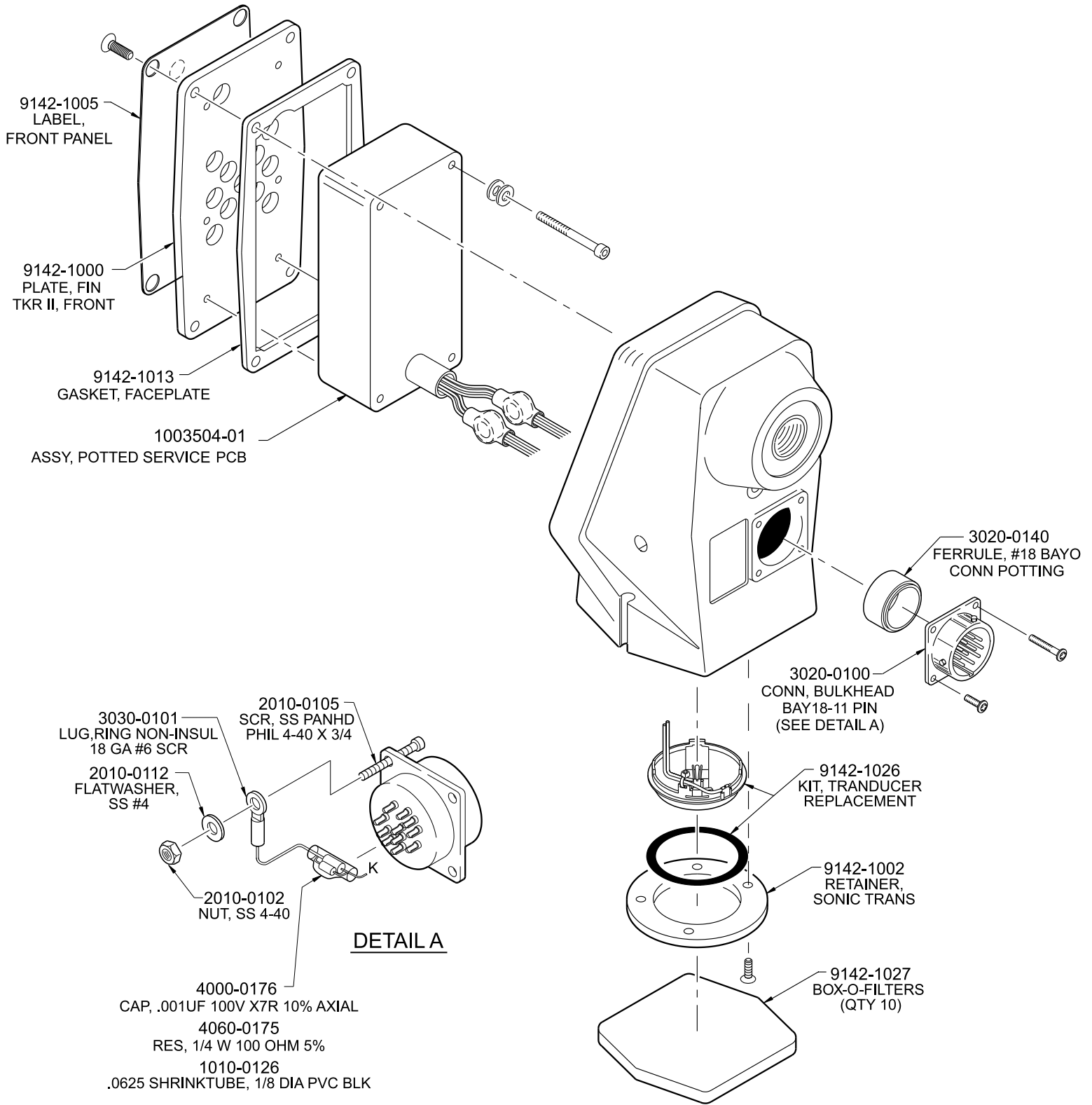
Physical

DISPLAY	Bail LED Raise/Lower/Ongrade LED's
HOUSING	Cast aluminum Note: See envelope dimensions section Epoxy sealed electronics
CONNECTORS	11-18 pin bayonet

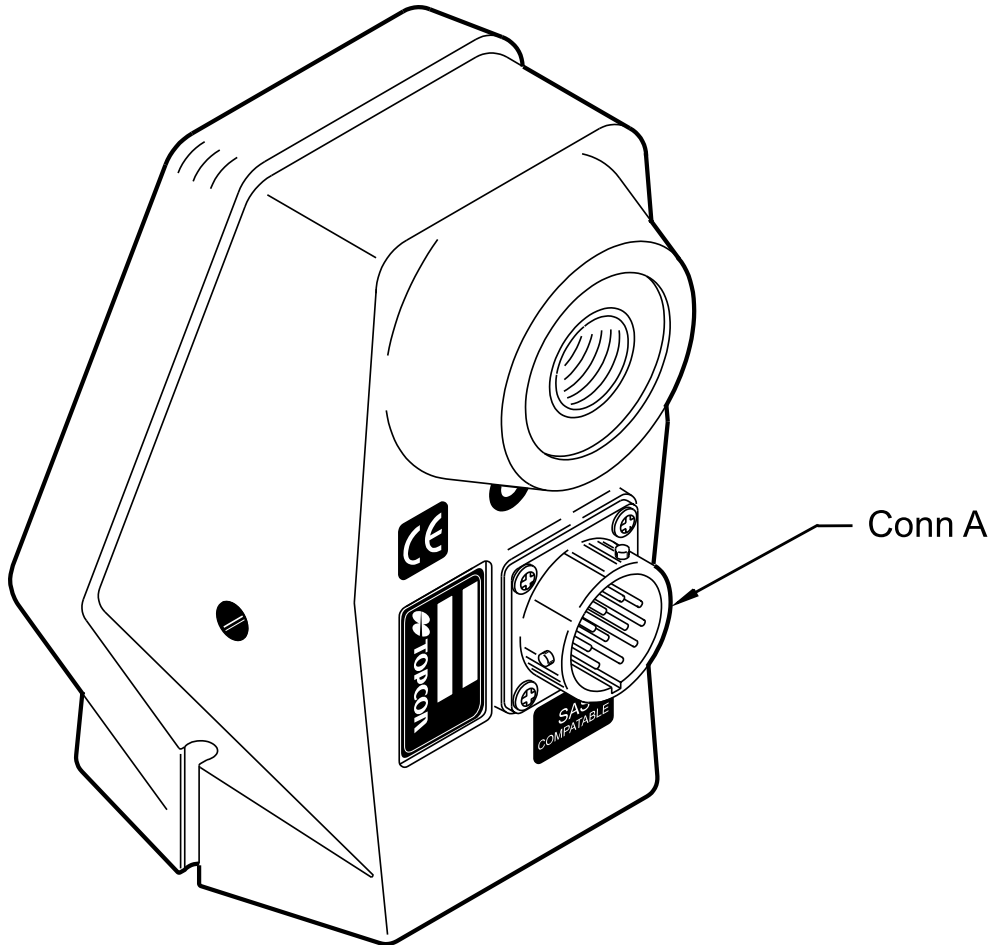
Environmental

OPERATING TEMPERATURE	0°C to 60°C
VIBRATION	5G's 0 to 100Hz any axis

Service Parts



Connector Pinouts



CONNECTOR A (18-11 PIN BAY)	
A	COMM A
B	COMM B
C	EXT INPUT
D	
E	
F	VBATT
G	
H	
J	
K	GROUND
L	CONFIG

Envelope Dimensions

