


Introduction

The RD-M1 Hitch Mount Kits provide the brackets and hardware to mount the RD-M1 assembly to your vehicle's hitch.

 Note that the following instructions may vary depending on if you are using the North American or European style kit.

Installation

Step 1A applies to the European kit. Step 1B applies to the North American kit.

1. To install the hitch post bracket:
 - a. Use the M12 bolts (1009228-01 4 ea) and washers (1009342-01 4 ea) to install the hitch post bracket (1008031-01 1 ea) and hitch post back plate (1008032-01 1 ea) around the ball hitch.

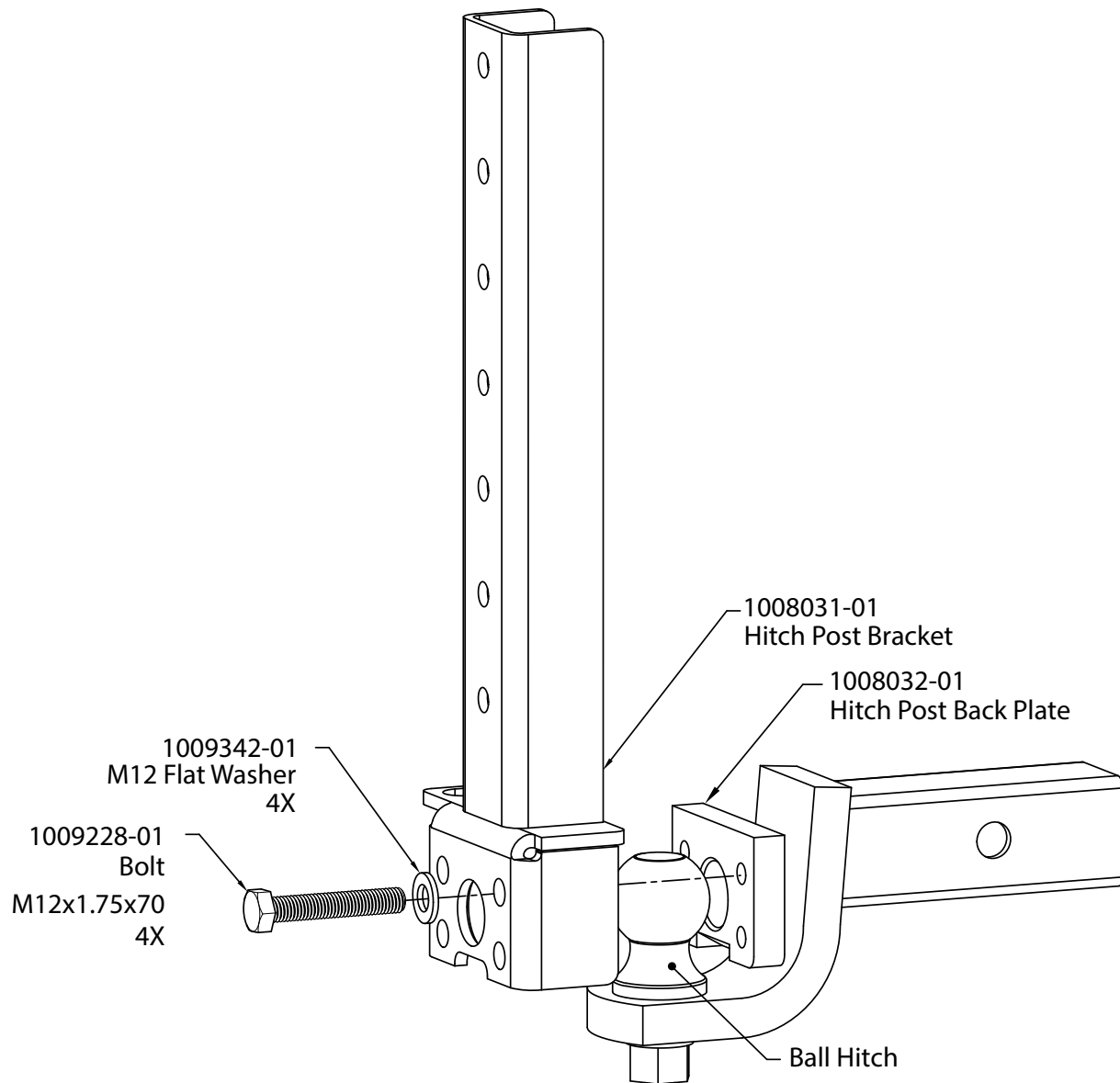


Figure 1: European Hitch Post Bracket Kit

- b. Insert the L-bracket (1013258-01) post into the tow hitch. Fasten the hitch pin with the cotter pin. To prevent excessive vibration, fasten the vibration damping clamp (1013802-01) around the tow hitch and L-bracket. Ensure that the locknut is tightened to prevent loosening from excessive vibration. See Figure 3.

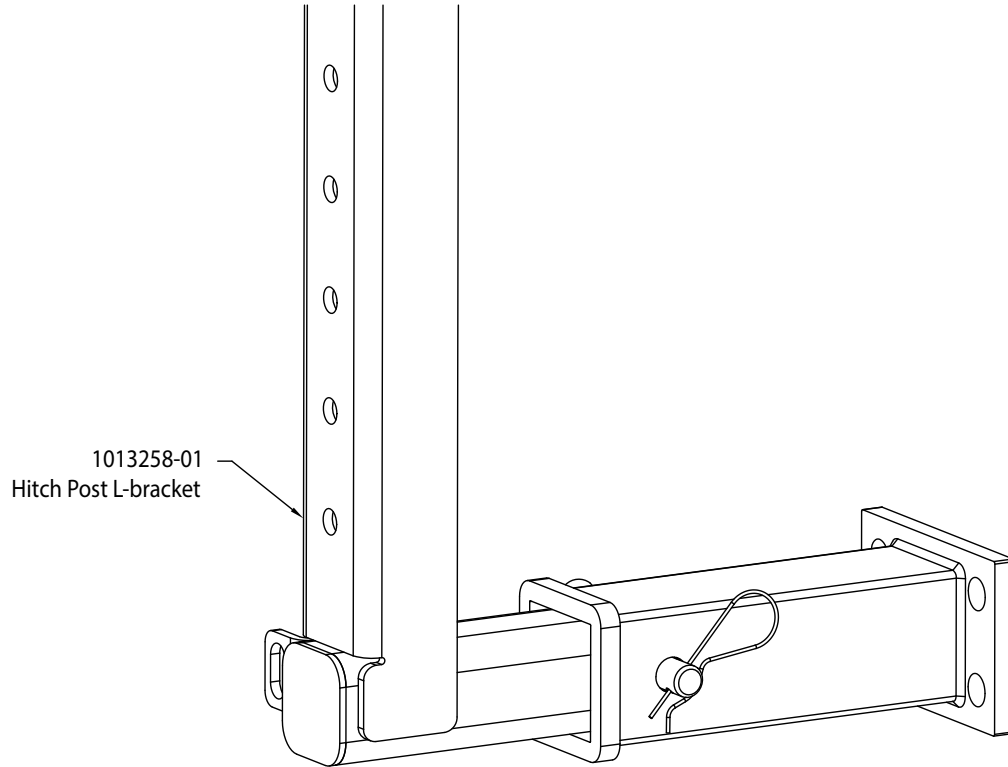


Figure 2: North American Hitch Post Bracket Kit

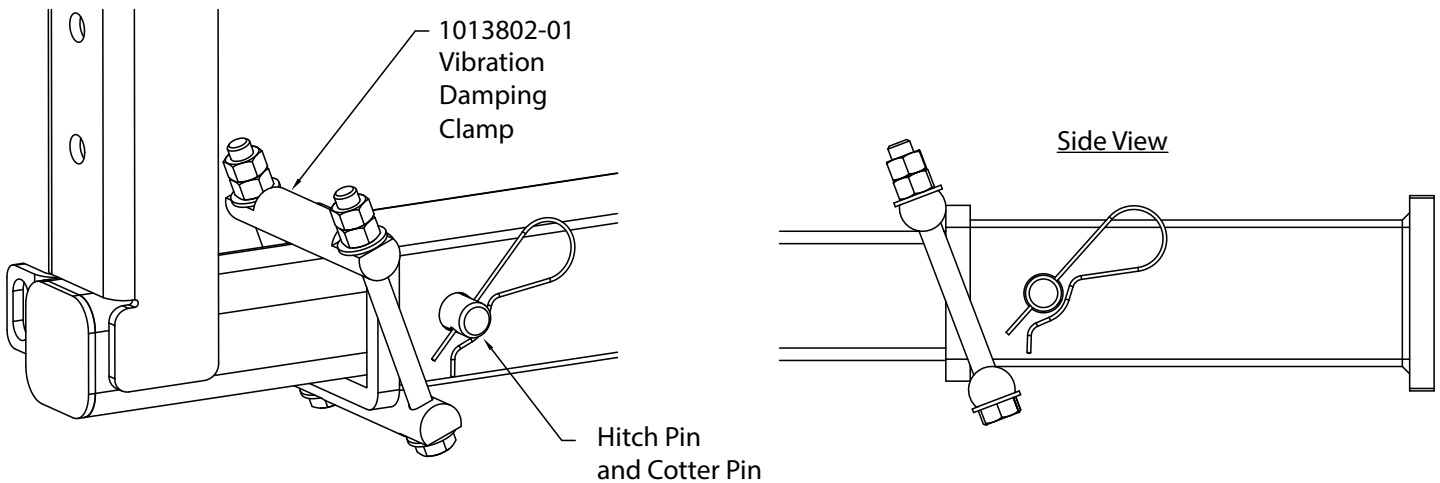


Figure 3: North American Hitch Pin and Vibration Damping Clamp

- Use the M10 bolts (1006410-01 2 ea) and M10 washers (1006415-01 2 ea) to install the hitch post (1007508-01 1 ea) onto the hitch post bracket (1008031-01 1 ea). See Figure 4.



Ensure that the top of the hitch post is above the roof of the van/bed of the truck.

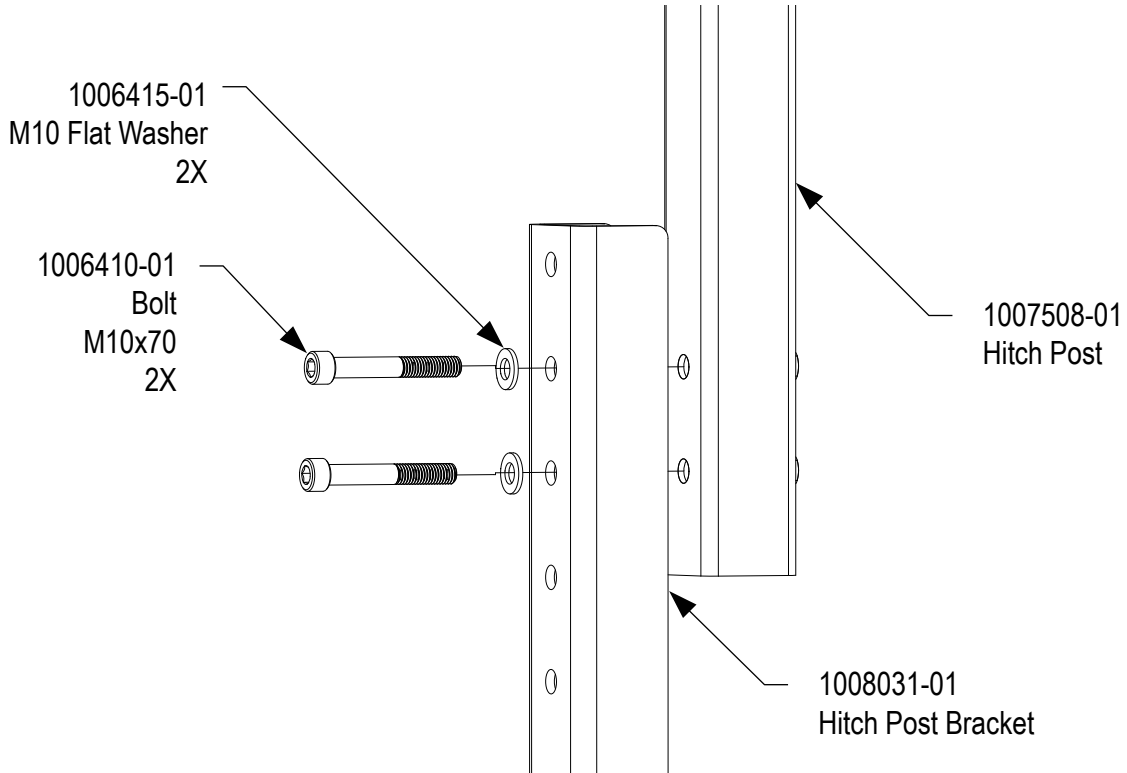


Figure 4: Hitch Post Bracket to Hitch Post

3. Install the post extension mount on the back of the hitch post using the M10 bolts (1006410-01 2 ea) and M10 washers (1006415-01 2 ea). The post extension mount (1007428-01 1 ea) can be mounted in any orientation and location to accommodate the crossbar assembly. See Figure 5.

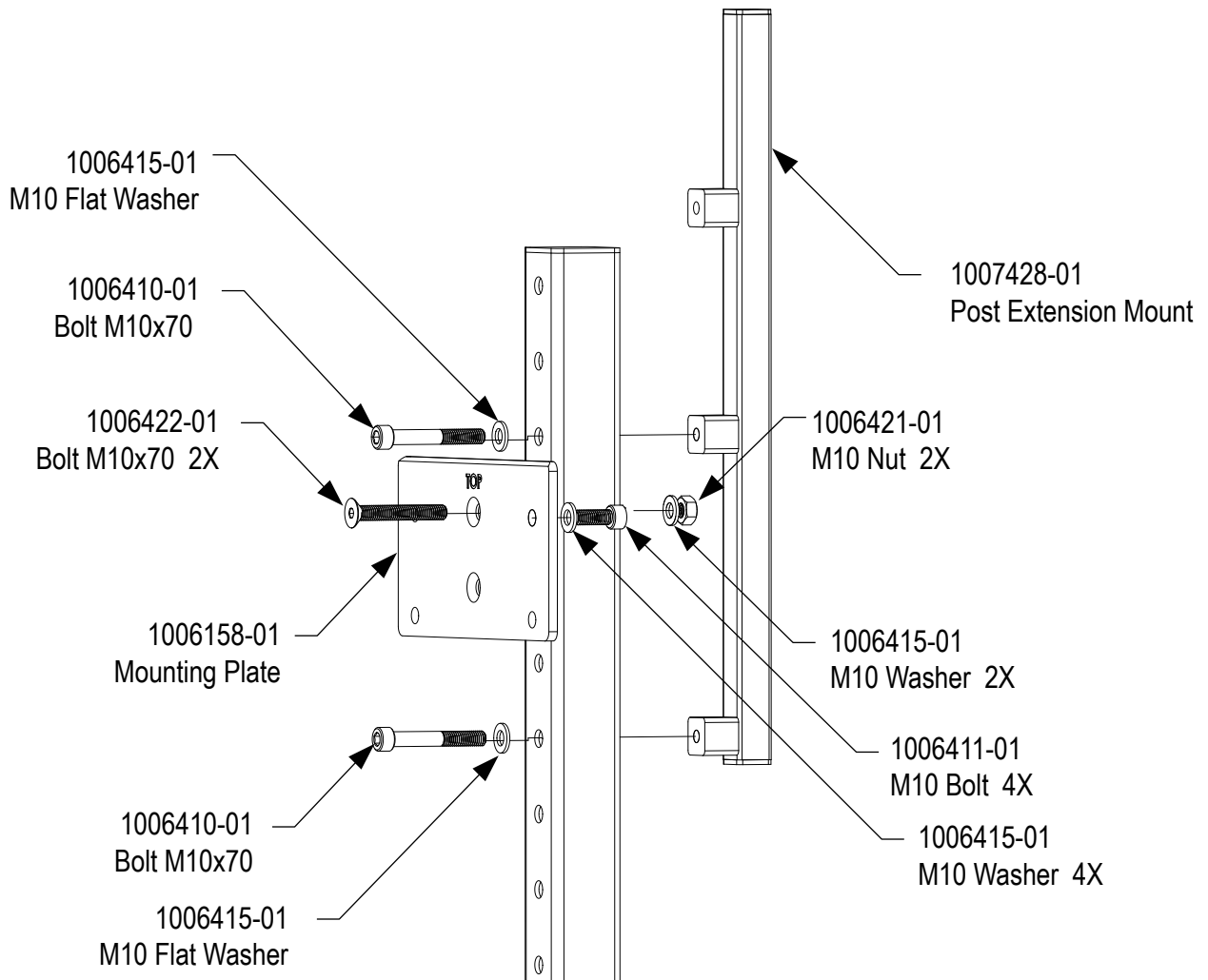




Figure 5: Post Extension Mount

4. Use M10 flathead bolts (1006422-01 2 ea), washers (1006415-01 2 ea), and nuts (1006421-01 2 ea) to install the mounting plate (1006158-01 1 ea) on the front of the hitch post.
5. Install the RD-M1 onto the mounting plate with M10 bolts (1006411-01 4 ea) and M10 washers (1006415-01 4 ea). See Figure 6.

-  Check the height of the HiPer SR (part of the the RD-M1 assembly) to ensure an unobstructed view of the sky.
-  Be sure to leave a minimum distance of 1 meter from the bottom of the scanner glass to the ground. The scanner must also have a fully unobstructed view of the ground surface.

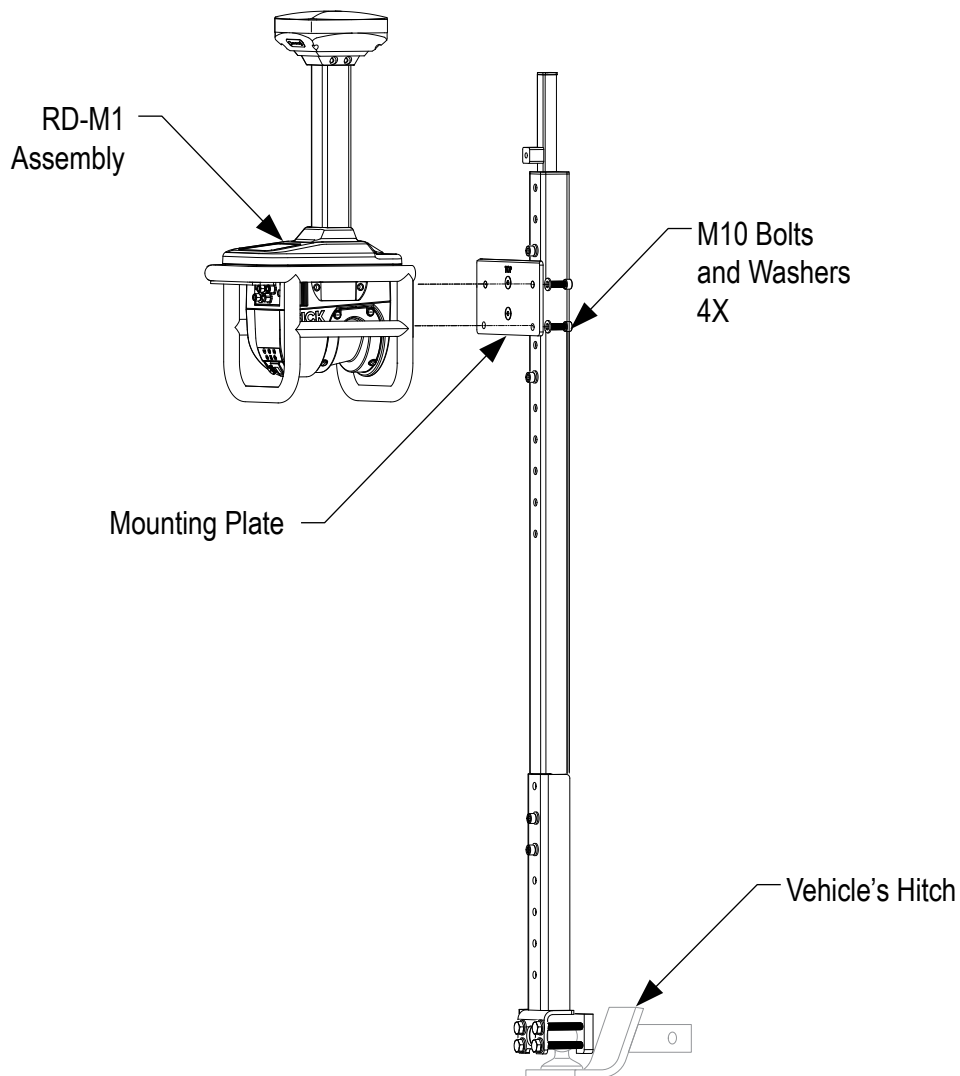


Figure 6: RD-M1 Installation

For more information contact Synergy Positioning Systems or visit the Synergy Positioning Systems website at www.synergypositioning.co.nz
 All branches: Phone 0800 867 266 Email: info@synergypositioning.co.nz