

Trencher - 3D-GPS

Topcon's 3D Trencher designed for digging trenches with the use of 3D technology. Eliminating the need to reference and check alignments by using GPS and TS-1 Tilt Sensors to control the blade the 3D Trencher makes digging trenches easy.

Features & Benefits:

- Avoid trenching too deep
- More accurate alignment of excavation
- Fast and easy to use
- Same user interface for all Topcon's 3DMC

3D Trencher Testimonial



TS-1 Tilt Sensor

- Environmentally sealed
- No moving parts
- 3-axis, 360° sensor
- CAN port interface
- 0.01 degree resolution

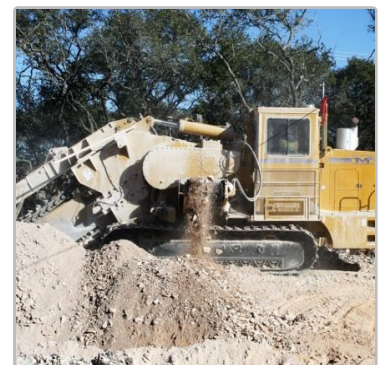
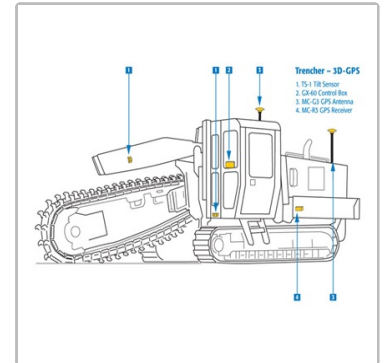
GX-60 Control Box

- High-resolution, bright, color, touch screen display.
- Bluetooth, Ethernet, and USB communication.
- Adjustable side or rear mounting options.
- Quick-disconnect connectors.
- Internal back-up battery pack



MC-R3 GNSS Receiver

- G3 Tracking technology
- Network capable receiver with GSM / CDMA
- UHF & Spread Spectrum radio options
- LED status indicators
- Advance Multipath Reduction (AMR)



Click the link below to view the corresponding system specifications:

[MC-R3 GNSS Receiver Specifications](#)

[TS-1 Tilt Sensor Specifications](#)

[GX-60 Control Box Specifications](#)

[MAGNET Office Specifications](#)