

# Compactor - 3D

Adding Topcon's 3D-GPS+ system to a compactor greatly enhances productivity on a daily basis.

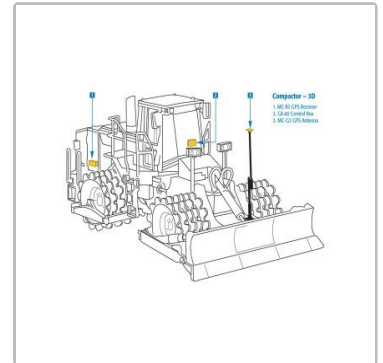
## Features & Benefits:

- Rugged color touch screen control box displays blade position and distance to design
- Real-time cut/fill mapping
- Backwards compatible with existing Topcon MC systems
- Increase compaction productivity significantly
- Complete compaction rates on time or ahead of schedule
- Easy to use software for all your operators

### Automatic Grade Control

For site work, contour grading, or any other complex surface grading requirements, Topcon's 3D-GPS+ will put more money to your bottom line where it counts. With the reality of providing unmatched material control capability, and the simplest user interface in the industry, you are sure to integrate Topcon 3D technology successfully into your business.

We make sure the investment you make today will work for you in the future. Topcon's building block design allows you to add new sensors or technologies to your system such Networks as they become available without having to buy a whole new system.



Click the links below to see the corresponding system specifications:

[MC-R3 GNSS Receiver Specifications](#)

[GX-60 Control Box Specifications](#)

[MC-A1 Antenna Specifications](#)

[MAGNET Office Site Specifications](#)