

MATRICE 200 SERIES

DISCLAIMER AND SAFETY GUIDELINES

免责声明和安全操作指引

V1.2 2017.09



For more information contact Synergy Positioning Systems or visit the Synergy Positioning Systems website at www.synergypositioning.co.nz
All branches: Phone 0800 867 266 Email: info@synergypositioning.co.nz

Safety at a Glance

1. Environmental Considerations

- Always fly at locations that are clear of building and other obstacles.
- DO NOT fly above or near large crowds.
- Avoid flying at altitudes above 400 feet (120 m)*.
- Fly in moderate weather conditions with temperatures between -4° to 113°F (-20° to 45°C).
- Please take additional caution while flying indoors because the aircraft stabilization features may be interfered.
- DO NOT fly when the wind speed exceeds 12 m/s or 27 mph.

2. Pre-flight Checklist

- Ensure the remote controller and aircraft batteries are fully charged.
- Ensure the propellers are in good condition and securely tightened before each flight.
- Ensure there is nothing obstructing the motors.
- Check that the camera lens is clean and free of stains.
- Only calibrate the compass when the DJI GO™ 4 app or the status indicator prompt you to do so.
- Altering or modifying the aircraft's parts may impact its stability. Strictly follow DJI's official instruction to attach compatible external equipment and please ensure that the overall weight of the aircraft does not exceed 6.14kg after attachment. Be sure that the external equipment is mounted in the right position as provided in the official instruction to avoid the displacement of the aircraft's center of gravity.

3. IP43 Protection Rating

Under stable laboratory conditions, the Matrice 200 Series achieves an IP43 protection rating by IEC60529 standards when equipped with TB50-M200 or TB55 Intelligent Flight Batteries. However, this protection rating is not permanent and may reduce over time after long-term use.

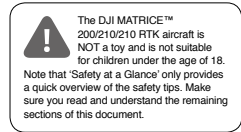
- DO NOT fly when the amount of rainfall exceeds 10 mm/h.
- DO NOT fold the frame arms in the rain.
- The angle of inclination of the aircraft body and the ground should not exceed $\pm 60^\circ$ when fly the aircraft in rainy days.
- Make sure the battery ports, battery compartment ports, battery surfaces, and battery compartment surfaces are dry before inserting the batteries.
- Make sure the battery ports and battery surfaces are free from any liquid before charging the batteries.
- Before packing the aircraft into the carrying case, ensure that it is free from any liquid by wiping it carefully.
- Product warranty does not cover water damage.

The aircraft does not achieve IP43 protection rating in the following circumstances:

- Folded frame arms.
- Turn the aircraft upside down.
- You use batteries other than the M200 Series' TB50-M200 or TB55 Intelligent Flight Batteries.
- The cover for the ports and buttons on the rear of the aircraft are not attached correctly.
- The external GPS module is in use.
- The weatherproofing top shell plug is not firmly attached to the top shell.
- The Micro SD card slot cover is not firmly attached.
- The aircraft is broken due to various reasons, such as broken aircraft shell, failure of the waterproof adhesive, etc.

4. Operation

- Stay away from the rotating propellers and motors.
- Maintain visual line of sight of your aircraft at all times.
- The function of stopping motor mid-flight by pressing the RTH button while simultaneously pulling the left stick to the bottom inside corner and holding for 3 seconds is disabled by default. The user should go inside DJI GO 4 app to enable this function. Only activate this function in an emergency situation.
- DO NOT answer incoming calls, texting messages or using any other features of your mobile devices that may distract you from operating your aircraft in flight. DO NOT fly under the influence of alcohols or drugs.
- DO NOT fly closely above reflective surfaces such as water or snow, as these terrain may affect the performance of the Vision System.
- In the instance of a Low Battery Warning, land the aircraft immediately at a safe location.
- During the Return-to-Home procedure, you can adjust the flight altitude to avoid obstacles.



*The flying altitude restriction varies in different jurisdictions. DO NOT fly above the maximum altitudes set forth in your local laws and regulations.

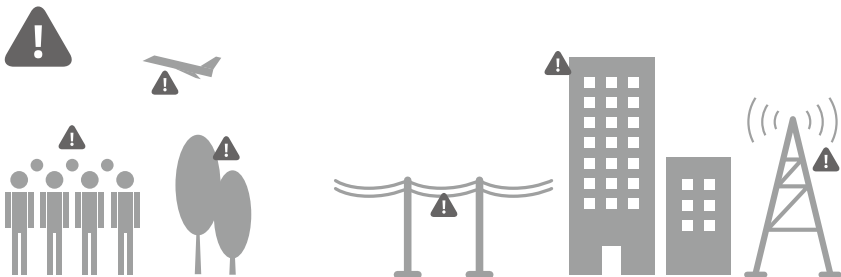
- After landing, first stop the motor, then turn off the Intelligent Flight Battery, and then turn off the remote controller.
- When using TapFly™ or ActiveTrack™ features, be prepared to take control of the aircraft by pushing the sticks. Please note that the aircraft will continue performing the TapFly or ActiveTrack functions after you pushing the sticks. Press the STOP button on the remote controller or on the screen to exit the such on-going functions completely.
- While with advanced technology, the pilot's sound discretion is required during the flight. Safety and flight assistance features such as obstacle avoidance, precise landing, and landing protection, are designed to assist your operation, not to replace it. Environmental conditions including lighting and obstacle's texture may impact the performance of the Vision System.
- Please set the Return-to-Home Altitude higher than surrounding obstacles in the DJI GO 4 app.
- Landing protection (detects if the ground is suitable for landing at an altitude of 2 meters above the ground) is used to optimize the operation experience. Always be alert when in control of the aircraft as the vision system may be disabled in certain situations (e.g. dim lighting or unclear obstacle surface patterns), and ground surface detection may fail.

5. Maintenance and Upkeep

- DO NOT use aged, chipped or broken propellers.
- Recommended storage temperature: between 71° and 86° F (22° and 30° C).
- Refer to the Intelligent Flight Battery Safety Guidelines for more information about safe use of the battery.

6. Observe Local Laws and Regulations

- DO NOT fly in the No Fly Zones. You can find relevant information of these areas at <http://flysafe.dji.com/>. Please check with local aviation authorities for a complete lists and regulations of No Fly Zones.
- The flight altitude restriction varies in different jurisdictions. DO NOT fly above the maximum altitudes set forth in your local laws and regulations.
- Avoid flying in areas where rescue teams are actively using the airspace.

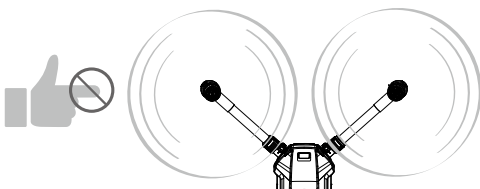


Avoid flying over or near crowds, trees or airports.

Strong electromagnetic sources such as power lines, base stations, and tall buildings may affect the onboard compass. It is recommended to use Matrice 210 RTK. Always stay alert about surroundings in flight.



DO NOT use the aircraft in adverse weather conditions such as rain, snow, fog and wind speeds exceeding 12 m/s or 27 mph.



Stay away from the rotating propellers and motors.



Learn more at:
<http://fllysafe.dji.com/no-fly>

NOTICE

All instructions and other collateral documents are subject to change at the sole discretion of SZ DJI TECHNOLOGY CO., LTD ("DJI"). For up-to-date product information, visit <http://www.dji.com> and check on the product page.

Glossary

The following terms are used throughout this document literature to indicate various levels of potential harm when operating this product:

[NOTICE] NOTICE: Procedures, which if not properly followed, create a possibility of physical property damage AND a little or no possibility of injury.

[CAUTION] CAUTION: Procedures, which if not properly followed, create the probability of physical property damage AND a possibility of serious injury.

[WARNING] WARNING: Procedures, which if not properly followed, create the probability of property damage, collateral damage, and serious injury OR create a high probability of serious injury.



WARNING

Read the ENTIRE user manual to become familiar with the features of

this product before operation. Failure to operate the product as instructed by the user manual may result in damage to the product or personal property and cause serious injury.

This is a sophisticated product. It must be operated with caution and common sense and requires some basic mechanical ability. Failure to operate this product in a safe and responsible manner could result in injury or damage to the product or other property. This product is not intended for use by children. DO NOT use incompatible components or alter this product in any way unless otherwise allowed by relevant documents provided by SZ DJI TECHNOLOGY CO., LTD. These Safety Guidelines contain instructions for safety, operation and maintenance. It is important to read and follow all of the instructions and warnings in the user manual, prior to assembly, setup or use, in order to operate the product safely and avoid damage or serious injury.

AGE RECOMMENDATION: NOT FOR CHILDREN UNDER THE AGE OF 18. THIS IS NOT A TOY.

Pre-flight Checklist

1. Ensure that you are using only genuine parts and that all parts are in mint condition.
2. Ensure the remote controller, Intelligent Flight Battery, and mobile device are fully charged.
3. Ensure that there is no foreign object stuck to the camera lens, the Micro SD card has been inserted into the aircraft, and the gimbal can rotate freely before powering it on.
4. Ensure the propellers and mounting plates are securely mounted onto the motors, and the motors can start and function normally.
5. Follow the on-screen instructions to calibrate the compass.
6. Ensure the DJI GO 4 app and aircraft's firmware have been upgraded to the latest version.
7. Ensure that your flight area is outside the NO Fly Zones and flight conditions are suitable for flying the aircraft.
8. Be sure that you are NOT flying under the influence of alcohol, drugs or any substance that may impair your cognitive abilities.
9. Be familiar with the selected flight mode and understand all safety functions and warnings.
10. Be sure to observe all local regulations, obtain appropriate authorizations, and understand the risks. REMEMBER: It is solely your responsibility to comply with all applicable regulations.
11. Please MAINTAIN VISUAL LINE OF SIGHT (WITH YOUR EYES) OF YOUR AIRCRAFT AT ALL TIMES. Please DO NOT only rely on first person view camera to control your aircraft.
12. Ensure the DJI GO 4 app is properly launched to assist your operation of the aircraft. Without the flight data recorded by the DJI GO 4 app, in certain situations (including the loss of your

aircraft) DJI™ may not be able to provide aftersales support to you or assume liability.

Disclaimer and Warning

This product is NOT a toy and is not suitable for children under the age of 18. Adults should keep the aircraft out of the reach of children and exercise caution when operating this aircraft in the presence of children.

While the product adopts advanced technology, inappropriate use of the product could result in personal injury or property damages. Please read the materials associated with the product before your first use of the product. These documents are included in the product package and are also available online on the DJI product page at <http://www.dji.com>.

The information in this document affects your safety and your legal rights and responsibilities. Read this entire document carefully to ensure proper configuration before use. Failure to read and follow the instructions and warnings in this document may result in product loss, serious injury to you, or damage to your aircraft.

By using this product, you hereby signify that you have read this disclaimer carefully and that you understand and agree to abide by the terms and conditions herein. EXCEPT AS EXPRESSLY PROVIDED IN DJI AFTER-SALES SERVICE POLICIES AVAILABLE AT ([HTTP://WWW.DJI.COM/SERVICE/POLICY](http://WWW.DJI.COM/SERVICE/POLICY)), THE PRODUCT AND ALL MATERIALS, AND CONTENT AVAILABLE THROUGH THE PRODUCT ARE PROVIDED "AS IS" AND ON AN "AS AVAILABLE" BASIS, WITHOUT WARRANTY OR CONDITION OF ANY KIND, EITHER EXPRESS OR IMPLIED. DJI DISCLAIMS ALL WARRANTIES OF ANY KIND, EXCEPT AS EXPRESSLY PROVIDED IN DJI AFTER-SALES SERVICE POLICIES, WHETHER EXPRESS OR IMPLIED, RELATING TO THE PRODUCT, PRODUCT ACCESSORIES, AND ALL MATERIALS, INCLUDING: (A) ANY IMPLIED WARRANTY OF MERCHANTABILITY, FITNESS FOR A PARTICULAR PURPOSE, TITLE, QUIET ENJOYMENT, OR NON-INFRINGEMENT; AND (B) ANY WARRANTY ARISING OUT OF COURSE OF DEALING, USAGE, OR TRADE. DJI DOES NOT WARRANT, EXCEPT AS EXPRESSLY PROVIDED IN DJI LIMITED WARRANTY, THAT THE PRODUCT, PRODUCT ACCESSORIES, OR ANY PORTION OF THE PRODUCT, OR ANY MATERIALS, WILL BE UNINTERRUPTED, SECURE, OR FREE OF ERRORS, VIRUSES, OR OTHER HARMFUL COMPONENTS, AND DO NOT WARRANT THAT ANY OF THOSE ISSUES WILL BE CORRECTED.

NO ADVICE OR INFORMATION, WHETHER ORAL OR WRITTEN, OBTAINED BY YOU FROM THE PRODUCT, PRODUCT ACCESSORIES, OR ANY MATERIALS WILL CREATE ANY WARRANTY REGARDING DJI OR THE PRODUCT THAT IS NOT EXPRESSLY STATED IN THESE TERMS. YOU ASSUME ALL RISK FOR ANY DAMAGE THAT MAY RESULT FROM YOUR USE OF OR ACCESS TO THE PRODUCT, PRODUCT ACCESSORIES, AND ANY MATERIALS. YOU UNDERSTAND AND AGREE THAT YOU USE THE PRODUCT AT YOUR OWN DISCRETION AND RISK, AND THAT YOU ARE SOLELY RESPONSIBLE FOR ANY PERSONAL INJURY, DEATH, DAMAGE TO YOUR PROPERTY (INCLUDING YOUR COMPUTER SYSTEM OR MOBILE DEVICE OR DJI HARDWARE USED IN CONNECTION WITH THE PRODUCT) OR THIRD PARTY PROPERTY, OR THE LOSS OF DATA THAT RESULTS FROM YOUR USE OF OR INABILITY TO USE THE PRODUCT.

SOME JURISDICTIONS MAY PROHIBIT A DISCLAIMER OF WARRANTIES AND YOU MAY HAVE OTHER RIGHTS THAT VARY FROM JURISDICTION TO JURISDICTION.

DJI accepts no liability for damage, injury or any legal responsibility incurred directly or indirectly from the use of this product. The user shall observe safe and lawful practices including, but not limited to, those set forth in these Safety Guidelines.

Data Storage and Usage

When you use our mobile app or our products or other software, data regarding the use and operation of the product, such as flight telemetry data (e.g., speed, altitude, battery life, and information about the gimbal and camera) and operations records, may be provided to DJI. The internal storage device incorporated into the product stores various types of data, including flight telemetry data.

You may also provide flight telemetry data and other data to us when you manually transmit that information from the internal storage device to us.

Please refer to DJI Privacy Policy (available at <http://www.dji.com/policy>) for more information.

Before You Begin

This product is an aircraft that offers easy flight when in good working order as set forth below. Visit <http://www.dji.com> for the most current instructions and warnings and <http://knowbeforeyoufly.org/> for more information about flight safety and compliance. The following documents have been produced to help you safely operate and make full use of your aircraft:

In the Box

Disclaimer and Safety Guidelines

Intelligent Flight Battery Safety Guidelines

Quick Start Guide

User Manual

Check all of the included parts listed in the In the Box document and read the Disclaimer and Safety Guidelines before flight. Then prepare for your first flight by using the Quick Start Guide and watching all of the tutorial videos on DJI's official website (<http://www.dji.com>). If you have questions, refer to the User Manual in the app or on DJI's official website for more comprehensive information. Make sure you fully understand the functionality of each individual part, the flight condition requirements, the key contingency warning functions/systems, and all government regulations before each flight. If you have any questions or problems during the assembly, maintenance or use of this product, please contact DJI or a DJI authorized dealer.

Individual Parts

Regarding Genuine and Functional Parts

⚠ WARNING

To avoid component malfunction, serious injury, and property damage, observe the following rules:

1. Use only genuine DJI parts or parts certified by DJI. Unauthorized parts or parts from non-DJI certified manufacturers may cause system malfunctions and compromise safety.
2. Ensure there are no foreign objects (such as water, oil, soil, sand, etc.) inside of the aircraft or its components.
3. Ensure the aircraft and its components – including but not limited to the remote controller, camera, gimbal, compass, propulsion system, and battery – are all in good working order, damage-free, and functioning well. Refer to the remaining sections in this document for more details on how to ensure the functionality of these components.
4. DO NOT modify or alter the aircraft, its components, and parts. Unauthorized modification may cause malfunctions and affect the aircraft's functionality and safety.

Remote Controller

NOTICE

1. Ensure the remote controller is fully charged before each flight.
2. If the remote controller is powered on and has NOT been used for 5 minutes, it will sound an alert. After 6 minutes it will automatically power off. Move the sticks or perform some other action to cancel the alert.
3. Adjust the clamp of the mobile device holder to allow a firm grip on your mobile device.
4. Ensure the mobile device holder is firmly in place and does not slip.
5. Ensure the antennas of the remote controller are unfolded and adjusted to the proper position to achieve optimal transmission quality.
6. Repair or replace the remote controller if damaged. A damaged remote controller antenna will greatly decrease performance.
7. Linking is required if you wish to replace your remote controller or receiver or add a new remote controller. Refer to the User Manual for details.

8. Make Sure that you first switch off the aircraft (after it is safe to do so), then switch off the Remote Controller. Otherwise it may cause the loss of control of the aircraft.

9. Fully charge the battery at least once every three months to maintain battery health.

Compass

CAUTION

To avoid possible serious injury and property damage, observe the following rule:

Land immediately when obvious drifting occurs in flight, i.e., the aircraft does NOT fly in straight lines.

NOTICE

Only calibrate the compass when the DJI GO 4 app or the status indicator prompt you to do so. Observe the following rules when calibrating your compass:

1. DO NOT calibrate your compass where there is magnetic interference, such as interference by magnetite, parking structures, or steel reinforcements underground.
2. DO NOT carry ferromagnetic materials with you during calibration such as cellular phones.
3. The DJI GO 4 app will prompt you to resolve the compass issue if the compass is affected by strong interference after calibration is complete. Follow the prompted instructions to resolve the compass issue.

Propulsion Systems

⚠ WARNING

To avoid serious injury to yourself or others, which may be caused by the rotating propellers and motors, observe the following rules:

Propellers

1. DO NOT use aged, chipped, or broken propellers.
2. Always power off the aircraft before touching the propellers.
3. Be aware of the sharp edges of the propellers when mounting or removing the propellers. Wear gloves or take other protective measures when touching the propellers.
4. Whenever necessary, use tools (e.g., wrench, screwdriver, pliers, etc.) to remove or install the propellers.
5. Ensure the propellers are securely mounted to prevent them from falling off the motors.
6. DO NOT turn on the motors when propellers are mounted and there are other people or animals in the immediate vicinity.
7. Using third-party propellers may compromise the aerodynamics of the aircraft. For a better and safer flight experience, we recommend you to use original DJI propellers only.
8. Wipe the propellers to make them dry before each flight where the surrounding temperature is around 0°C (32°F) to avoid the propellers from having frosted.

Motors

1. Ensure the motors are securely mounted and rotating smoothly.
2. DO NOT attempt to modify the structure of the motors.
3. DO NOT touch or let your hands or body come in contact with the motors after flight as they may be hot.

CAUTION

To avoid possible serious injury and property damage, observe the following rules:

1. DO NOT block any of the ventilation holes on the motors.
2. DO NOT block any of the ventilation holes on the frame arm of the aircraft.

NOTICE

Motors

1. Keep the motors free of dust.
2. If a motor is stuck and unable to rotate freely, execute the CSC (Combination Stick Command) to stop the motors immediately.

Electronic Speed Controllers

Ensure the ESCs sound a normal tune when powered on.

DJI GO 4 App

NOTICE

- Be sure to fully charge your tablet or mobile device before launching the app.
- Mobile cellular data is required when using the DJI GO 4 app. Please contact your wireless carrier for data charges.
- If you are using a phone as your mobile display device, be sure to continue flying safely when the phone receives an incoming call. DO NOT accept phone calls during flight.
- Read all prompted safety tips, warning messages, and disclaimers carefully. Be familiar with the related regulations in your area. You are solely responsible for being aware of all relevant regulations and flying in a way that is compliant.
 - Read and understand the warning messages before using the Auto-take off and Auto-land feature.
 - Read and understand the warning messages before re-setting your Home Point.
 - Read and understand the warning messages and disclaimer before setting the altitude beyond the regulatory limit.
 - Read and understand the warning messages and disclaimer before switching between the flights modes.
- Land your aircraft immediately at a safe location if there is an alert shown on the app.
- Examine and check all warning messages on the checklist displayed in the app prior to each flight.
- Use the in-app simulator to practice your flight skills if you have never operated the aircraft or if you DO NOT have sufficient experience to be comfortable operating the aircraft.
- Cache the map data of the area where you intend to fly the aircraft by connecting to the Internet before each flight.
- The app is designed to assist your operation. Please use your sound discretion and DO NOT rely on the app to control your aircraft.
- Your use of the app is subject to the DJI GO 4 app Terms of Use and DJI Privacy Policy. Please read them carefully in the app.

Firmware

WARNING

To avoid serious injury to children and animals, observe the following rule: Keep children and animals at a safe distance during any firmware upgrade, system calibration, and parameter setting procedures.

NOTICE

- For safety, always update the firmware to the latest version when an upgrade notification is shown in the DJI GO 4 app.
- Firmware upgrade notifications will inform about new firmware upgrades. You are required to read and understand the information shown. You further understand and agree that the data including but not limited to flight telemetry data and user selection records may be uploaded to and maintained on a DJI designated server.
- Be sure to update the remote controller's firmware to the latest version after you update the aircraft's firmware.
- The remote controller may become unlinked from the aircraft after updating. Re-link the remote controller and aircraft.
- Be sure to check all connections and remove the propellers from the motors before performing the firmware update.

Camera (Optional)

WARNING

To avoid possible serious injury and property damage, observe the following rule:

DO NOT block any ventilation holes on the camera as the heat generated may hurt you and damage the device.

NOTICE

- Check camera settings before use to make sure you can adjust them to fit your needs.
- Test the camera by shooting a few test images and check that it is operating correctly before shooting important pictures or videos.
- DO NOT remove the Micro SD card from the aircraft when it is powered on.
- Photos or videos cannot be transmitted or copied from the aircraft if the Intelligent Flight Battery is powered off.
- Be sure to power off the Intelligent Flight Battery correctly,

- otherwise your camera parameters will NOT be saved and any recorded videos may be damaged
- Regardless of the reason, DJI will not be responsible for any failure of an image or video to be recorded or having been recorded in a way that is not machine readable.

Gimbal (Optional)

NOTICE

- Precision elements in the gimbal may be damaged in a collision or impact, which may cause the gimbal to function abnormally.
- DO NOT apply external force to the gimbal after the gimbal is powered on.
- DO NOT add any payloads to the gimbal, as this may cause the gimbal to function abnormally or even lead to motor damage.
- The gimbal and gimbal connector are very delicate. Handle with care and DO NOT touch the gimbal connector, as any damage will cause it to function abnormally.
- Hold the gimbal firmly when detaching or reattaching it, so it does not drop.
- DO NOT attach or remove the gimbal with the aircraft powering on.
- Single gimbal and dual gimbals should be used separately.
- When use single upward gimbal and dual downward gimbals, ensure to strictly follow the instruction on the User Manual, mounting compatible gimbal cameras correctly, or the image transmission may fail.

Product Care

Storage and Transportation

WARNING

To avoid serious injury to children and animals, observe the following rule: Small parts, such as cables and straps, are dangerous if swallowed. Keep all parts out of reach of children and animals.

NOTICE

- Store the Intelligent Flight Battery and remote controller in a cool, dry place away from direct sunlight to ensure the built-in LiPo battery does NOT overheat. Recommended storage temperature: between 71° and 86° F (22° and 30° C) for storage periods of more than three months. Never store in environments outside the temperature range of -4° to 113° F (-20° to 45° C).
- DO NOT allow the camera to come into contact with, or become immersed in, water or other liquids. If it gets wet, wipe dry with a soft, absorbent cloth. Turning on an aircraft that has fallen into water may cause permanent component damage. DO NOT use substances containing alcohol, benzene, thinners or other flammable substances to clean or maintain the camera. DO NOT store the camera in humid or dusty areas.
- Detach the gimbal from the aircraft when storing for a long period of time or transporting over long distances.
- DO NOT connect this product to any USB interface that is older than version 2.0. DO NOT connect this product to any "power USB" or similar devices.

Maintenance and Upkeep

NOTICE

- Please contact DJI recommended service centers for product inspection or repair after any crash or violent impact. Operating damaged aircraft is very dangerous and may cause bodily injury or property damage.
- The battery can be stored for three months if its remaining battery level stays between 40% to 65%. Fully charge and discharge the battery at least once every three months to maintain battery health.
- It is recommended to schedule a maintenance service every 50 hours of flight time for flight safety and reliability.

Flight Condition Requirements

Weather Conditions and Surrounding Environment

WARNING

The aircraft is designed to operate in good to moderate weather conditions. To avoid collision, serious injury and property damage,

observe the following rules:

- DO NOT use the aircraft in severe weather conditions. These include wind speeds exceeding 12 m/s, snow, rain, smog, heavy wind, hail, lightning, tornadoes or hurricanes.
- Keep the aircraft at least 30 feet (10 meters) away from obstacles, people, animals, buildings, public infrastructure, trees, and bodies of water when in flight. Stay even further away from the above objects as your altitude increases.
- Be EXTRA cautious when operating the aircraft indoors. Some features of the aircraft, especially the stabilization feature, may be impacted.
- Be sure to enable the Vision System when flying indoors. Note that the Vision System may NOT work properly when it is flying over water, over surfaces without a clear pattern, or in a dim environment.

NOTICE

- Aircraft and battery performance is subject to environmental factors such as air density and temperature.
 - DO NOT operate the aircraft when the temperature is outside the range of -4° to 113° F (-20° to 45° C).
- DO NOT use the aircraft near accidents, fire, explosions, floods, tsunamis, avalanches, landslides, earthquakes, dust, or sandstorms.

Interference with Communications

NOTICE

- Check if any part of the aircraft has been hit or crashed. Contact DJI support or the authorized dealers when needed.
- Fly in open areas. Tall buildings or steel structures may affect the accuracy of the on-board compass and block the GPS signal.
- Avoid interference between the remote controller and other wireless equipment. Make sure to turn off the Wi-Fi on your mobile device.
- Be extremely alert when fly near areas with magnetic or radio interference and M210 RTK is recommended in such environment. These include but are NOT limited to: high voltage lines, large scale power transmission stations or mobile base stations and broadcasting towers. Failing to do so may compromise the transmission quality of this product or cause remote controller and video transmission errors which may affect flight orientation and location accuracy. The aircraft may behave abnormally or go out of control in areas with too much interference.

Operating the Aircraft Responsibly

⚠ WARNING

To avoid serious injury and property damage, observe the following rules:

- Make sure you are NOT drunk, or under the influence of drugs, anesthesia, or suffering from dizziness, fatigue, nausea or any other conditions, whether physical or mental, that could impair your ability to operate the aircraft safely.
- Pulling the left stick to the bottom inside corner and pressing the RTH button at the same time will stop the motor when the aircraft is airborne. The landing function of the aircraft will not be triggered. DO NOT perform the aforementioned combination command unless in an emergency situation. This function is turned off by default. You may turn on this combination command feature via the DJI GO 4 app.
- Upon landing, power off the aircraft first, then switch off the remote controller.
- DO NOT drop, launch, fire or otherwise project any dangerous payloads on or at any buildings, persons or animals, or which could cause personal injury or property damage.
- DO NOT use the aircraft that has been crashed or accidentally hit, or the aircraft that is not in good condition.

NOTICE

- Make sure you have been sufficiently trained and are fully aware of any contingency plans before accidents happen.
- Make sure you have a flight plan and never fly the aircraft recklessly.
- Respect the privacy of others when using the camera. Make sure you comply with local privacy laws, regulations, and moral

standards.

- DO NOT use this product for any reason other than general personal use. DO NOT use it for any illegal or inappropriate purpose (such as spying, military operations, or unauthorized investigations).
- DO NOT use this product to defame, abuse, harass, stalk, threaten or otherwise violate the legal rights (such as the right of privacy and publicity) of others.
- DO NOT trespass into private property of others.

Flight Modes, Functions and Warnings

Flight Modes

⚠ WARNING

To avoid serious injury and property damage, observe the following rule:

DO NOT switch from P-mode to either A-mode or S-mode unless you are sufficiently familiar with the aircraft's behavior for each flight mode, since disabling GPS may result in being unable to land the aircraft safely.

The aircraft will enter A-mode in the following two instances:

- Passive:** When there is weak GPS signal or when the compass experiences interference where the Vision System is unavailable.
 - Active:** Users toggle the flight mode switch to A-mode.
- In A-mode, the Vision System and some advanced features are disabled. Therefore, the aircraft cannot position or auto-brake in this mode and is easily affected by its surroundings, which may result in horizontal shifting. Use the remote controller to position the aircraft. Maneuvering the aircraft in A-mode can be difficult. Before switching the aircraft into A-mode, make sure you are comfortable flying in this mode. DO NOT fly the aircraft too far away as you might lose control and cause a potential hazard.

Avoid flying in areas where GPS signal is weak, or in confined spaces. The aircraft will otherwise be forced to enter A-mode, leading to potential flight hazards, please land it in a safe place as soon as possible.

NOTICE

P-mode or S-mode is preferred for most flight scenarios. Users can switch to A-mode if P-mode or S-mode is unavailable. When flying in A-mode, take EXTRA precautions because some features are NOT available in A-mode. When flying indoors, the aircraft cannot perform precision hovering when flying above the surfaces that do not have a clear pattern. Refer to the "Vision System and Infrared Sensing System" section for complete indoor flying criteria.

- P-mode (Positioning):** P-mode works best when the GPS signal is strong. The aircraft utilizes the GPS and Vision System to automatically stabilize itself, navigate between obstacles or track a moving object. Advanced features such as TapFly and ActiveTrack are enabled in this mode.
- S-mode (Sports):** S-mode is identical to P-mode in terms of flight controller settings, except that the handling gain values of the aircraft are adjusted in order to enhance the maneuverability of the aircraft. The maximum flight speed of the aircraft is increased in this mode.
- A-mode (Altitude):** When neither the GPS nor the Vision System is available, the aircraft will only use its barometer for positioning to control the altitude.

If you intend to switch to modes that disable GPS assistance (e.g., A-mode), you are required to accept the prompted disclaimer to enable this function. If this function is enabled, you further understand and agree that data including but not limited to flight telemetry data and function records could be uploaded to and maintained on a DJI designated server.

Failsafe and Return to Home

NOTICE

- The Return to Home feature will NOT work if the GPS signal is insufficient (GPS signal less than three bars) or if GPS is not active.
- Press the RTH (Return to Home) Button on the remote controller to initiate the Return to Home process instead of turning off the remote controller.

- Tall buildings may adversely affect the Failsafe function. Please adjust the aircraft location, altitude and speed while returning home to avoid obstacles. Aircraft will stop ascending and immediately return to the Home Point if you move the left stick if the aircraft reaches 65 feet (20 meters) altitudes or beyond during Failsafe.
- Make sure to operate the aircraft within the transmission range of the remote controller.
- Only use the Failsafe and Return to Home functions in case of emergency. Such functions may be affected by the weather, the environment, or any nearby magnetic fields.
- The aircraft cannot avoid obstacles during the Failsafe RTH when lighting condition is not ideal. Therefore, it is important to set an appropriate Failsafe altitude before each flight.
- If the battery life so allows, the aircraft may first return to the last position where it had connection with the remote controller during the Failsafe RTH. As a result, you may observe the aircraft first flying away from you, then returning to the home point.

Low Battery

NOTICE

- When the Critical Battery Level Warning activates and the aircraft is descending automatically, you may push the throttle up to maintain the aircraft's altitude and navigate it to a more appropriate location for landing.
- When battery warnings are triggered, promptly bring the aircraft back to the Home Point or land to avoid losing power during flight and causing damage to the aircraft, property, animals, and people.

D-RTK (For M210 RTK)

NOTICE

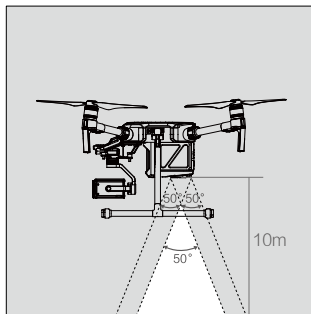
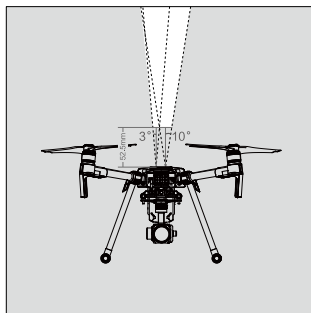
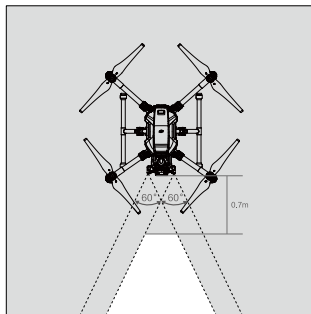
- Only use genuine DJI parts or parts certified by DJI. Unauthorized parts or parts from non-DJI-certificated manufacturers may cause the system to malfunction and compromise safety.
- Operate in an open environment free from radio interference. The antennas should be kept at the same height and DO NOT obstruct each other when used.
- DO NOT bend or fold the antenna cable excessively.
- Ensure that the D-RTK™ and its components are free from contamination (e.g. water, oil, soil and sand).

Vision System and Infrared Sensing System

NOTICE

- The Vision System cannot work properly over surfaces that do NOT have clear pattern variations. The Vision System is only effective when the aircraft is at altitudes of 0.3 to 10 meters.
- The Vision System may NOT function properly when the aircraft is flying over water.
- Keep your pets away from the aircraft when the Vision System is activated, as the sonar sensors emit a high frequency sound that is only audible to some pets.
- Operate the aircraft cautiously when in any of the following situations:
 - Flying over monochrome surfaces (e.g., pure black, pure white, pure red, pure green).
 - Flying over highly reflective surfaces.
 - Flying at high speeds (over 14m/s at 2 meters or over 5m/s at 1 meter).
 - Flying over water or transparent surfaces.
 - Flying over moving surfaces or objects.
 - Flying in an area where the lighting changes frequently or drastically.
 - Flying over extremely dark (< 15 lux) or bright (> 10,000 lux) surfaces.
 - Flying over surfaces that can absorb sound waves (e.g., thick carpet).
 - Flying over surfaces without clear patterns or texture.
 - Flying over surfaces with identical repeating patterns or textures (e.g. tiles with same design).
 - Flying over inclined surfaces that will deflect sound waves away from the aircraft.
 - Tiny obstacles (with less infrared reflection energy).

- In the event of loss of the remote controller's signal and the GPS signal is weak, if the aircraft cannot detect the Home Point, the aircraft will hover for 8 seconds and then auto-land if it is in "P" mode.
- Vision System calibration is required if the aircraft suffers from crashing. Calibrate the Vision System if the DJI GO 4 app prompts you to do so.
- Please be mindful of blind spots (grey) of the Vision System and Infrared Sensing System.



Downward vision system is only used for positioning.

- Do not use other ultrasonic devices with frequency of 40 KHz or more/less when Vision System is in operation. Keep the sensors clean and at all times. DO NOT temper with the sensors.
- The Vision System and Infrared Sensing System are not able to brake and stop the aircraft at a safe distance from an obstacle if the aircraft speed exceeds 14m/s (31.3 mph).

TapFly

CAUTION

To prevent serious injury or property damage, observe the following guidelines:

- DO NOT instruct the aircraft to fly towards people, animals, small and fine objects (e.g. tree branches and power lines) or transparent objects (e.g. glass and water).
- Watch out for potential obstacles in your surrounding area (especially on the rear, left, and right sides of the aircraft) and stay clear of them to avoid accidents.
- Be prepared to take control of the aircraft by pushing the sticks on the remote controller, or press the stop button on the remote controller or on the screen to exit TapFly in case of an emergency.

NOTICE

- There may be deviations between the expected and actual paths for your TapFly selection.
- The selectable range on the screen is limited. You cannot make TapFly selections near the upper or lower edges of the screen.
- The TapFly mode may NOT function properly when the aircraft is flying over water or snow covered area.
- Be extra cautious when flying in extremely dark (< 300 lux) or bright (> 10,000 lux) environments.

ActiveTrack

To prevent serious injury and property damage, observe the following guidelines:

- Ensure there are no people, animals, small and fine objects (e.g. tree branches and power lines) or transparent objects (e.g. glass and water) along the desired tracking path.
- Watch out for potential obstacles in your surrounding area (especially on the rear, left, and right sides of the aircraft) and stay clear of them to avoid accidents.
- Be prepared to take control of the aircraft by pushing the sticks on the remote controller, or press the stop button on the remote controller or on the screen to exit ActiveTrack in case of an emergency.

NOTICE

- Be extra cautious when using ActiveTrack in any of the following situations:
 - The movement of the tracked subject is not on a level plane;
 - The tracked subject changes shape drastically while moving;
 - The tracked subject could be blocked or out of sight for a long time;
 - When the tracked object is in a snow-covered area;
 - The lighting is extremely low (< 300 lux) or high (> 10,000 lux); and
 - The tracked subject has a similar color or pattern as the surrounding environment.
- You must follow local privacy laws and regulations when using ActiveTrack.

Compliance with Regulations & NO Fly Zones

Regulations

WARNING

To avoid, serious injury and property damage, observe the following rules:

- DO NOT operate in the vicinity of manned aircraft, regardless of altitude. (Land immediately if necessary)
- DO NOT fly the aircraft in densely populated areas, including cities, sporting events, exhibitions, performances, etc.
- DO NOT fly the aircraft above the authorized altitude. Remain well clear of and DO NOT interfere with manned aircraft operations. Be aware of and avoid other aircraft and obstacles at all times.

CAUTION

- To avoid, serious injury and property damage, observe the following rules:
- DO NOT fly the aircraft near or inside NO Fly zones specified by local laws and regulations. The NO Fly zone list includes: airports, borders between two sovereign countries or regions, major cities/

- regions, etc., and is continuously updated.
- DO NOT fly the aircraft above the authorized altitude.
- ALWAYS keep your aircraft within visual line of sight (VLOS), and use an observer to assist if needed.
- NEVER use the aircraft to carry illegal or dangerous goods/payloads.

NOTICE

- Make sure you understand the nature/type of your flight operation (such as for recreation, for public use, or for commercial use) and have obtained corresponding approval and clearance from the related government agencies before flight. Consult with your local regulators for comprehensive definitions and specific requirements. For users operating their aircraft in the United States, please first visit <http://www.knowbeforeyoufly.org/> and take action appropriate to your circumstances.
- Please note that remote-controlled aircraft may be banned from conducting commercial activities in certain countries and regions. Check and follow all applicable laws and ordinances before flying as those rules may differ from those stated here.
- DO NOT fly around sensitive infrastructure or property such as power stations, water treatment facilities, correctional facilities, heavily traveled roadways, government facilities, military zones, etc.
- Respect the privacy of others when using the camera. DO NOT conduct surveillance operations such as image capture or video recording on any person, entity, event, performance, exhibition, and property without authorization or where there is an expectation of privacy, even if the image or video is captured for personal use.
- Please be advised that in certain areas, the recording of images and videos from events, performances, exhibitions, or commercial properties by means of a camera may contravene copyright or other legal rights, even if the image or video was shot for personal use.

NO Fly Zones

NOTICE

DJI takes flight safety seriously, and has therefore developed various aids to help users comply with local rules and regulations while flying. We strongly recommend that you update the firmware to the latest version to ensure the following features are fully updated:

NO Fly Zones

- NO Fly Zones include but are not limited to major airports around world, borders between two sovereign countries or regions, major cities/regions, etc.
- A list of NO Fly Zones is available on the official DJI website at <http://www.dji.com/flysafe/no-fly> and is subject to periodic updates in line with the latest regulatory requirements without prior notice.
- Some NO Fly Zones are comprised of several zones. Each zone features circles of various sizes. The aircraft will NOT be able to take off in the inner most zone of the NO Fly Zone, and will descend to the specified altitude when it approaches the edge of the inner most zone. Ground station functionality is disabled when the aircraft is within a NO Fly Zone.
- Users are NOT able to set up waypoints within NO Fly Zones.

Altitude Limit

- Fly NO higher than 120 meters (400 feet) above ground level and stay away from any surrounding obstacles. Legal maximum flight altitude may be lower according to your local laws and regulations. Please strictly follow all applicable laws.
- If you intend to fly above the default altitude limit, you are required to accept the prompted disclaimer to enable the new altitude limit. If a new altitude limit is set, you further understand and agree that data including but not limited to flight telemetry data and altitude limit changes could be uploaded to and maintained on a DJI designated server.

This content is subject to change.

Download the latest version from www.dji.com/matrice-200-series

MATRICE is a trademark of DJI.
Copyright © 2017 DJI All Rights Reserved.

安全概要

1. 环境

- 在远离人群和建筑物的开阔场地飞行。
- 在 -20 至 45°C，天气良好（非下雨，刮风，或极端天气）的环境中飞行。
- 在合法区域飞行，详见第 5 条。
- 室内飞行时请特别小心，部分功能可能无法使用。
- 飞行器仅能承受 12 米/秒以下风速，当风速大于等于 12 米/秒时，请勿飞行。

2. 检查

- 确保各设备的电量充足。
- 确保螺旋桨无破损并且安装牢固。
- 确保飞行器电机清洁无损。
- 确保相机镜头清洁完好。
- 根据 DJI GO™ 4 App 提示进行飞行前检查并校准指南针。
- 切勿自行对飞行器的零配件进行改装。务必严格按照官方要求安装符合规格的外接设备，并确保安装后飞行器重量不超过 6.14kg。外接设备的安装位置务必合理，确保飞行器重心平稳。

3. IP43 防护等级

M200 系列无人机配合专用电池（TB50-M200 或 TB55）使用，在受控实验室条件下测试，可达到 IEC60529 标准下 IP43 防护等级。防护等级并非永久有效，可能会因长期使用导致磨损而下降。

- 请勿在雨量大于 10mm/小时的情况下飞行；
- 请勿在雨中折叠机臂；
- 雨中使用时，请确保机身平面与地面最大倾角不超过 $\pm 60^\circ$ ；
- 飞行前，请确认电池接口、电池仓接口、电池表面、电池仓表面干燥无水，再将电池插入机身；
- 请确保电池接口及电池表面干燥无水，再对电池进行充电；
- 请将机身表面擦拭干净，确保无水滴后，再放入包装；
- 由于浸入液体而导致的损坏不在保修范围之内。

以下几种情况不具备 IP43 防护等级：

- 机臂呈折叠状态；
- 机身倒置；
- 未使用 M200 系列专用 TB50-M200 电池或 TB55 电池；
- 接口保护盖未安装到位；
- 使用外置 GPS；
- 上盖防水胶盖松动；
- SD 卡槽盖子未完全闭合；
- 机身出现其他可能的破损，如外壳开裂、防水胶失效等。

4. 操作

- 切勿靠近工作转动中的螺旋桨和电机。
- 在视距内飞行（VLOS）。
- 紧急停机组合键默认关闭，用户需自行在 App 中开启后才可使用紧急停机功能。开启该功能后，飞行时向内拨动左摇杆的同时按下返航键将导致飞行器坠落。请仅在紧急情况下使用该功能。
- 飞行过程中请勿接听电话、发送短信，或使用其他可能干扰您操作飞行器的移动设备功能。切勿在神志受到酒精或药物的影响下操作飞行器。
- 飞行器依靠视觉定位飞行时注意避开水面或雪地等镜面反射区域。
- 低电量警示时请尽快返航。
- 在失控返航过程中，若光照条件欠佳时，飞行器将不能自主躲避障碍物，如果遥控信号正常，可通过遥控器控制飞行航向。
- 降落后先关闭飞行器再关闭遥控器，以免造成遥控器信号丢失，启动返航模式。请确保电机完全停机后再关闭飞行器和遥控器电源。
- 在使用指点飞行与智能跟随功能时，应时刻准备在紧急情况下拨动遥控器摇杆以手动控制飞行器。请务必注意此时飞行器还处于智能飞行模式状态，如需完全退出智能飞行模式，请按遥控器上方的停止按钮或点击屏幕上方的停止按键。
- 请全程保持对飞行器的控制，切勿完全依赖视觉系统和红外感知系统及 DJI GO 4 App 提供的信息。在特定飞行模式下或特定飞行环境中，视觉系统和红外感知系统将无法正常工作，主动刹车等功能将不可用。请依靠肉眼观察，合理判断飞行状况，及时躲避障碍物，并根据飞行环境设置相应飞行及返航高度。
- 降落保护功能（飞行器自动降落时，离地约 2 米时开始检测下方地形）旨在帮助用户减少误操作，以优化用户操控体验。但是在特定飞行环境中（如光线不好），视觉系统或无法正常工作，且地表检测存在一定的误检概率，因此，切勿完全依赖系统功能，请务必全程保持对飞行器的控制并对飞行安全负责。

5. 保养

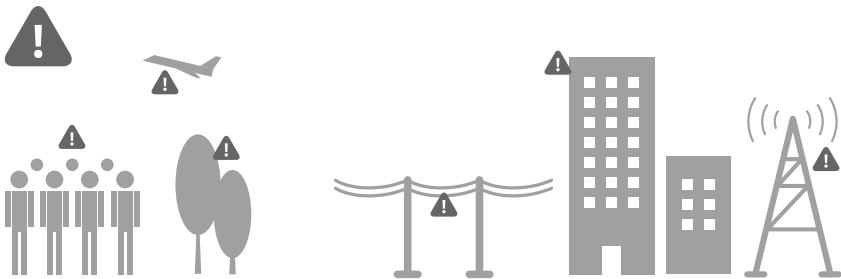
- 请在每一次飞行前检查并及时更换变形或破损的螺旋桨。
- 飞行器与智能飞行电池适合在 22 摄氏度至 30 摄氏度的环境中长期存放。
- 智能飞行电池保养事宜详见《智能飞行电池安全使用指引》。

6. 限飞与当地法规

- 严禁在限飞区域中飞行。浏览该地址 <http://flysafe.dji.com/> 以获取 DJI 建议的限飞区域列表。
- 控制飞行高度在 120 米以下*，飞行时需严格遵守当地法律法规。

* 各国家/地区的限飞高度有所不同，请联系当地的航空管理部门了解实际限高。

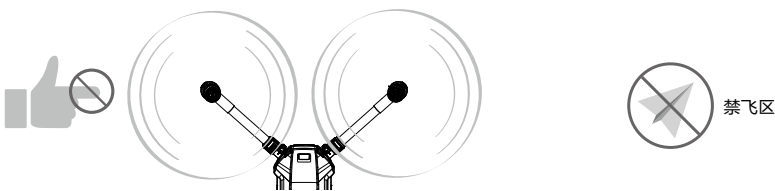




飞行时请远离人群、树木和机场。
无线电发射塔、高压线、变电站、高大建筑物以及具有磁性的大块金属可能会对遥控器信号及指南针产生干扰，推荐使用 Matrice 210 RTK，飞行时务必注意安全。



下雨、大雾、下雪、雷电、大风（风速每秒 12 米及以上）等天气请勿飞行。



切勿接触工作旋转中的螺旋桨，否则可能受到严重人身财产损害。

详情请访问以下网址：
<http://flysafe.dji.com/no-fly>

词汇表

本产品使用以下词条对因操作不当可能带来的潜在危险分级加以说明。

注意：如果不遵循说明进行操作，可能会导致财产损失和轻微伤害。

小心：如果不遵循说明进行操作，可能会导致财产损失和较严重伤害。

警告：如果不遵循说明进行操作，可能会导致财产损失、重大事故和严重伤害。

警告 通过阅读整个用户手册，熟悉产品的功能之后再进行操作。如果没有正确操作本产品可能会对自身或他人造成严重伤害，或者导致产品损坏和财产损失。本产品较为复杂，需要经过一段时间熟悉后才能安全使用，并且需要具备一些基本常识后才能进行操作。如果没有强烈的安全意识，不恰当的操作可能会导致产品损坏和财产损失，甚至对自身或他人造成严重伤害。本产品不适合儿童使用。切勿使用非 DJI 提供或建议的部件，必须严格遵守 DJI 的指引安装和使用产品。本指引文档包含安全、操作和维护等说明。在进行组装、设置和使用之前务必仔细阅读用户手册中的所有说明和警告。

飞行前检查列表

1. 仅使用 DJI™ 正品部件并保证所有部件工作状态良好。
2. 确保遥控器、智能飞行电池以及移动设备电池电量充足。
3. 确保无任何异物粘附于相机镜头上并且已将存储卡插入飞行器。确保云台能够无阻碍地活动。
4. 确保所有螺旋桨和桨座皆无破损、老化，并正确安装至电机上，且电机能够正常工作。
5. 根据提示进行指南针校准。根据 DJI GO 4 App 及飞行器提示进行指南针校准。
6. 确保固件以及 DJI GO 4 App 已经更新至最新版本。
7. 确保飞行场所处于飞行限制区域之外，且飞行场所适合进行飞行。
8. 用户应确保自己不在酒精、药物影响下操控飞行器。
9. 熟悉了解每种飞行模式。熟悉失控返航模式下飞行器的行为。
10. 用户应自行了解当地有关飞行器的法律法规。如有必要，用户需向有关部门申请授权使用飞行器。
11. 当使用视觉定位时，避开在纹理重复度很高的物体表面上空飞行。更多关于使用视觉定位的信息，请参考“视觉系统与红外感知系统”一节。
12. 确保 DJI GO 4 App 已运行以协助飞行。如在飞行时未运行 DJI GO 4 App，在特定情况下（包括飞行器丢失）DJI 将无法向您提供售后支持或承担相应责任。推荐在 DJI GO 4 App 中开启地图纠偏功能。

免责声明与警告

本产品并非玩具，不适合未满 18 岁的人士使用。请勿让儿童接触飞行器，在有儿童出现的场景操作时请务必特别小心注意。使用本产品之前，请仔细阅读本文档。本声明对安全使用本产品以及您的合法权益有着重要影响。

本产品是一款多旋翼飞行器，在电源正常工作及各部件未损坏的情况下将提供轻松自如的飞行体验。访问 <http://www.dji.com> 获取最新说明和警告。DJI 保留更新本免责声明的权利。最新的免责声明，请以 www.dji.com 官网上及您邮件接收的版本为准。

务必在使用产品之前仔细阅读本文档，了解您的合法权益、责任和说明；否则，可能带来财产损失、安全事故和人身安全隐患。一旦使用本产品，即视为您已理解、认可和接受本声明全部条款和内容。使用者承诺对自己的行为及因此而产生的所有后果负责。使用者承诺仅出于正当目的使用本产品，并且同意本条款及 DJI 可能制定的任何相关政策或者准则。您了解并同意，在无 DJI GO 4 App 飞行记录的情况下，DJI 可能无法分析您的产品损坏或事故原因，并无法向您提供 DJI 售后服务。

在法律允许的最大范围内，在任何情况下，DJI 均不对任何间接性、后果性、惩罚性、偶然性、特殊性或惩罚性的损害，包括因您购买、使用或不能使用本产品而遭受的损失，承担责任（即使 DJI 已被告知该等损失的可能性亦然）。

某些国家的法律可能会禁止免除担保类条款，因此您在不同的国家的相關权利可能会有所不同。

在遵从法律法规的情况下，DJI 享有对上列条款的最终解释权。DJI 有权在不事先通知的情况下，对本条款进行更新，改版或终止。

使用前须知

为了能让您更安全使用本产品，DJI 为用户提供了以下文档资料：

1. 《物品清单》
2. 《免责声明和安全操作指引》
3. 《智能飞行电池安全使用指引》
4. 《快速入门指南》
5. 《用户手册》

建议用户首先按照《物品清单》核对文档资料、物品是否齐全。

然后仔细阅读本文档，再观看教学视频、使用《快速入门指南》了解使用过程，飞行前务必仔细阅读《智能飞行电池安全使用指引》和《用户手册》。请确保使用本产品前，您已熟悉本产品各部件的功能，并且了解有关飞行限制的信息，了解紧急返航的过程及当地与飞行有关的法律及相关政策。如果您在使用本产品时有任何疑问，请联系 DJI 或者 DJI 的授权经销商。

部件使用须知

原厂配件

⚠警告

为避免可能的伤害和损失，务必遵守以下各项：

1. 使用原厂配件或经过 DJI 认证的配件。使用非原厂配件有可能对飞行器的安全使用造成危险。
2. 飞行器及各部件内部没有任何异物（如：水、油、沙、土等）。
3. 确保飞行器及其各部件，包含但不限于遥控器、指南针、动力系统以及电池皆工作正常。
4. 切勿自行改装飞行器及其相关部件，否则可能影响飞行器性能，甚至引发飞行事故。

遥控器

⚠注意

1. 每次飞行前，确保遥控器电量充满。
2. 遥控器闲置 5 分钟后将发出报警，闲置超过 6 分钟将自动关机。拨动摇杆可让遥控器恢复为正常工作状态。
3. 使用遥控器上的移动设备支架时，务必压紧避免移动设备滑落。
4. 确保遥控器的移动设备支架安装牢固。
5. 确保遥控器天线展开并调整到合适的位置，以获得最佳的通信效果。
6. 遥控器天线如有损坏将影响使用性能，请及时返修。
7. 如更换遥控器，需要重新对频才能使用。具体对频步骤请参考用户手册。
8. 确保每次先关闭飞行器电源，再关闭遥控器。
9. 请确保每隔二个月对遥控器进行完全充电一次。

指南针

⚠小心

为避免可能的伤害和损失，务必遵守以下各项：

飞行过程中，一旦出现明显的漂移情况（如飞行器无法直线），请马上降落。

⚠注意

请依据 DJI GO 4 App 或飞行器状态指示灯的提示进行指南针校准。校准注意事项如下：

1. 请勿在强磁场区域或大块金属附近校准，如磁矿、停车场、带有地下钢筋的建筑区域等。
2. 校准时请勿随身携带铁磁物质，如手机等。
3. 指南针校准成功后，将飞行器放回地面时，如果受到磁场干扰，DJI GO 4 App 会显示处理方法，请按显示的方法进行相应操作。

动力系统

⚠警告

高速旋转的螺旋桨和电机可能给人带来伤害或者损失，务必遵守以下各项：

螺旋桨

1. 每次飞行前请务必检查各螺旋桨是否完好。如有老化、破损或变形，请更换后再飞行。
2. 确保在飞行器电源保持关闭状态才下对螺旋桨进行任何操作。
3. 由于桨叶较薄，安装时请小心操作，以防意外划伤。
4. 在必要时请使用辅助工具以安装及拆卸螺旋桨。
5. 每次飞行前请检查螺旋桨是否安装正确和紧固。

- 请勿贴近旋转的螺旋桨和电机（例如用手去接正在降落的飞行器），以免割伤。
- 请务必使用 DJI 原厂螺旋桨。
- 当飞行器在 0°C 左右的温度下飞行时，请提前使用干布擦拭桨叶，以免桨叶在飞行过程中结冰。

电机

- 确保电机安装牢固并且能自由旋转。
- 请勿自行改装电机物理结构。
- 电机停止转动后，请勿立刻用手直接接触电机，否则可能造成烫伤。

小心

为避免可能的伤害和损失，务必遵守以下各项：

- 请勿遮挡电机通风孔。
- 请勿遮挡飞行器壳体上的通风孔。

注意

电机

- 确保电机内无异物。
- 若电机无法自由转动，请立刻执行扳杆动作以停止电机转动。

电调

确保飞行器电源开启后，电调有发出提示音。

DJI GO 4 App

注意

- 使用 DJI GO 4 App 前请确保移动设备电源充足。推荐使用平板电脑以获得最佳体验。
- 使用 DJI GO 4 App 需要使用蜂窝移动数据，请联系您的移动设备数据提供商获取最新的数据流量资费标准。
- 当您在手机上使用 DJI GO 4 App 时，请将注意力集中在操控飞行器上，切勿在飞行过程中接听来电。
- 在使用 DJI GO 4 App 期间，仔细阅读所有弹出的安全提示、警示信息以及免责声明，务必了解当地的相关法律法规。您将对于所有违反当地法律法规的飞行行为负责。
 - 阅读并理解在使用自动起飞和降落时弹出的警示信息。
 - 阅读并理解在重返返航点时弹出的警示信息。
 - 阅读并理解在设定超过高度限定范围时弹出的警示信息以及免责声明。
 - 阅读并理解在切换飞行模式时弹出的警示信息以及免责声明。
- 当 DJI GO 4 App 提示用户需降落飞行器时，务必及时将飞行器降落至安全地点。
- 每次飞行前，务必根据 DJI GO 4 App 提供的飞行前检查列表进行各项检查。
- 如果您从未操作过同类飞行器，则推荐您使用 DJI GO 4 App 自带的模拟器练习飞行器操控技巧。
- 地图界面中使用的地图需从互联网下载。使用该功能前，建议将移动设备接入互联网以缓存地图。
- DJI GO 4 App 主要用于辅助操作，切勿完全依赖于 App，同时请开启设备声音。
- 使用 DJI GO 4 App 前，您须同意 DJI GO 4 App 使用条款及 DJI 隐私政策。该使用条款及隐私政策限制了 DJI 的部分法律责任，请在 App 内仔细阅读。

固件

警告

为避免可能的伤害和损失，务必遵守以下各项：
在固件升级、校准系统以及设定参数时务必使飞行器远离人群或动物。

注意

- 务必将固件版本更新至最新以保证飞行安全。

- 当 DJI GO 4 App 检测到有新版本的固件时，将会显示提示信息，用户阅读并理解提示信息的全部内容。用户了解并同意后，若选择不升级固件，DJI 将会保留此次操作的信息，并将选择结果上传并存放于 DJI 指定的服务器上。
- 一旦升级飞行器，务必将遥控器也升级到最新固件。
- 固件升级完成后，遥控器有可能与飞行器连接断开。升级完成后需要重新对频。
- 升级固件前确保螺旋桨已经被移除。

相机（选配）

警告

为避免可能的伤害和损失，务必遵守以下各项：
确保相机的散热孔无遮挡；否则高温可能导致相机损坏，甚至烫伤您或他人。

注意

- 在使用相机拍摄前检查相机参数设置，确保参数正确。
- 在使用本设备拍摄重要影像时，请在实际拍摄之前进行数次测试拍摄，以确保设备处于正常的工作状态。
- 先关闭飞行器电源，再插拔机身的 Micro SD 卡。
- 必须开启智能飞行电池，才能拷贝照片或者视频。
- 请正确关闭飞行器电池，否则相机的参数将不能保存，且正在录制的视频会损坏。
- DJI 对无法获取视频和相片造成的损失不承担任何责任，比如 SD 卡损坏、SD 卡内素材丢失。

云台（选配）

注意

- 云台含有精密部件，若受到碰撞或损伤，精密部件会损坏，可能会导致云台性能下降。请爱护相机云台免受物理损伤。
- 云台工作时切勿对其施加外力。
- 请勿在相机云台上增加任何物体，否则可能会影响云台性能，甚至烧毁电机。
- 云台与飞行器之间的连接件以及减震球属于易损部件，务必小心处置。
- 在移除与安装相机云台时，务必用手握住相机云台。
- 请勿带电安装及拆卸云台相机。
- 双云台和上云台系统需分开使用，请勿同时使用。
- 当使用双云台或上云台系统时，请按照《用户手册》里的说明安装云台相机到合适的云台上。安装错误将无图传信号。

产品保养

存储与运输

警告

为避免可能的伤害和损失，务必遵守以下各项：
由于线材和小零件可能会对儿童造成危险，所以务必让儿童远离飞行器的部件。

注意

- 将智能飞行电池存放于干燥通风处，减少阳光直射以防止电池过热。若需存放超过三个月，则推荐的存放温度区间为 22 摄氏度至 30 摄氏度。切勿将电池存放于低于零下 20 摄氏度或高于 45 摄氏度的场所。
- 切勿让相机接触到液体或浸入水中。若相机入水，请及时用柔软干布擦拭。切勿在飞行器落水后立刻开启电源，否则会对飞行器造成永久损坏。切勿使用含酒精等易挥发成分的液体清洁相机镜头。切勿将相机存放于潮湿的场所。
- 若需要长期存放或长途运输相机，则需要将相机从飞行器上取下。
- 切勿使用不符合 USB 2.0 规格的数据连接线。

维护

注意

1. 检查飞行器的各个部件是否曾经受到强烈撞击。如有疑问，请联系 DJI 技术支持人员或 DJI 授权的代理商。
2. 保持电量在 40% - 65% 之间，电池可存放三个月。每隔 3 个月左右重新充放电一次可以更好保持电池活性。
3. 对于 Matrice 飞行器的用户，建议每经过 50 小时飞行时长后进行飞行进行一次保养。具体保养内容请参考对应的保养手册。

飞行条件要求

天气以及环境要求

警告

请在天气情况以及环境条件良好的情况下进行飞行。为避免可能的伤害和损失，务必遵守以下各项：

1. 恶劣天气下请勿飞行，如大风（风速五级及以上）、下雪、下雨、有雾天气等。
2. 飞行时，请保持在视线范围内控制，使飞行器时刻与障碍物、人群、水面等物体保持至少 10 米以上的距离。
3. 在室内操作飞行器时需格外注意。由于 GPS 系统、视觉系统与红外感知系统在室内可能无法正常工作，飞行器的飞行稳定将会受到较大影响，可能危及人身或财产安全。
4. 在室内飞行时，确保视觉系统已经开启并工作正常。请注意，视觉系统在由于视觉系统容易受光照强度，物体表面纹理情况的影响，在水面，或纹理重复度很高的物体表面等场景下请谨慎使用视觉系统。

注意

1. 智能飞行电池性能受到空气密度以及环境温度影响。
 - a. 不推荐在低于 -20 摄氏度或高于 45 摄氏度的环境下使用飞行器。
2. 在遭遇火灾、爆炸、雷击、暴风、龙卷风、暴雨、洪水、地震、沙尘暴等灾害时不得使用飞行器。

无线通信需求

注意

1. 检查飞行器的各个部件是否曾经受到强烈撞击。如有疑问，请联系 DJI 技术支持人员或 DJI 授权的代理商。
2. 确保在开阔空旷处操控飞行器。高大的钢筋混凝土结构、山体、岩石、树林有可能对飞行器上的指南针和 GPS 信号造成干扰。
3. 为防止遥控器与其他无线设备相互干扰，务必在关闭其它无线设备后再使用飞行器遥控器。
4. 在电磁干扰源附近飞行时请务必保持谨慎，推荐使用 M210 RTK。电磁干扰源包括但不限于：高压电线、高压输电线路、移动电话基站和电视广播信号塔。在上述场所飞行时，飞行器的无线传输性能将有可能受到干扰影响，若干扰源过大，飞行器将无法正常工作。

安全飞行

警告

为避免可能的伤害和损失，务必遵守以下各项：

1. 用户不得在饮酒、吸毒、药物麻醉、头晕、乏力、恶心等其他身体状态不佳或精神状况不佳的情况下操控本产品。
2. 除非发生特殊情况（如飞行器可能撞向人群），禁止在飞行途中同时向内侧拨动左摇杆并按下返航按键（该功能需要 DJI GO 4 App 中开启）。
3. 降落前务必先关闭飞行器然后关闭遥控器。
4. 禁止使用本产品向建筑物、人群或动物投掷、发射任何危险物体。
5. 用户须立即停止使用发生事故（例如碰撞或倾覆等）或飞行状态异常的飞行器。在由 DJI 或其推荐维修中心进行维修前，用户不得继续使用该飞行器。

注意

1. 用户应确保已经对飞行器有足够程度的了解，并清楚所有的紧急返航措施。
2. 每次飞行前，用户应当准备好飞行计划。请勿鲁莽、即兴、随意操控本产品。
3. 在使用本产品的相机拍摄前，请务必尊重他人隐私权。确保在使用飞行器的相机前，用户已清楚并理解当地有关隐私的法律法规。
4. 禁止使用本产品进行任何违法及不当行为（包括但不限于间谍、军事行动以及非法调查工作）。
5. 禁止使用本产品进行任何违反他人隐私权的行为。
6. 禁止使用本产品侵犯他人物权。

飞行模式和警示

飞行模式

警告

为避免可能的伤害和损失，务必遵守以下各项：

请务必在您熟悉飞行器的特性和各种飞行模式之后，才能进行 P 模式切换到 A 模式或者 S 模式的操作。不使用 GPS 可能会使飞行器降落存在安全隐患。

以下两种情况飞行器将进入 A 模式：

1. 被动方式：GPS 卫星信号差或者指南针受干扰，并且不满足视觉定位工作条件。
 2. 主动方式：用户将遥控器飞行模式档位切换到 A 位置。
- A 模式下，飞行器容易受外界干扰，从而在水平方向将会产生飘移，并且视觉系统以及部分智能飞行模式将无法使用。因此，该模式下飞行器自身无法实现定点悬停以及自主刹车，需要用户手动操控遥控器才能实现飞行器悬停。

此模式下飞行器的操控难度将大大增加，如需使用该模式，务必熟悉该模式下飞行器的行为并且能够熟练操控飞行器，使用时切勿将飞行器飞离较远距离，以免因为距离过远，丧失对于飞行器姿态的判断从而造成风险。一旦被动进入该模式，则应当尽快降落到安全位置以避免发生事故。同时应当尽量避免在 GPS 卫星信号差以及狭窄空间飞行，以免被动进入 A 模式，导致飞行事故。

注意

尽可能使用 P 模式进行飞行。在无法使用 P 模式时，用户可切换到 A 模式，某些在 P 模式下具备的功能在 A 模式下将无法使用。所以在使用 A 模式时需格外小心。在室内飞行时，飞行器将无法在纹理重复度很高的物体表面上空精确悬停。更多关于使用视觉定位的信息，请参考“视觉系统与红外感知系统”一节。

1. P 模式（定位）：使用 GPS 模块和视觉系统以实现精确悬停，指点飞行，智能跟随与高级模式等功能。飞行器的感度值被适当调低。
2. S 模式（运动）：使用 GPS 模块和视觉系统以实现精确悬停。该模式下飞行器的感度值将适当调高，最大飞行速度将会提升。请特别注意，S 模式下飞行器无法主动刹车和躲避障碍物。请预留至少 50 米的刹车距离以保障飞行安全。
3. A 模式（姿态）：不使用 GPS 模块与视觉系统进行定位，仅提供姿态增稳，若 GPS 卫星信号良好可实现返航，否则，返航功能将不能实现。

如果用户需要在不同的飞行模式之间进行切换，则用户必须点击从 App 弹出的免责声明以确认该选择。DJI GO 4 app 将会对用户的操作进行记录。

失控返航

注意

1. 失控返航在 GPS 信号欠佳（GPS 信号强度低于三格）的情况下将失效。
2. 长按智能返航按键以启动智能返航，启动智能返航后，飞行器将会返回最近记录的返航点。请勿采用关闭遥控器电源的方式

强制启动返航功能。

- 若返航路线上存在高大建筑物会对飞行器返航安全造成影响，因此在使用失控返航功能前需要预先设定合理的返航高度。返航过程中，当飞行器上升至 20 米以后但没达到预设返航高度前，若用户推动油门杆，飞行器将会停止上升并从当前高度返航。
- 确保在遥控器通讯范围内操控飞行器。
- 返航功能会受天气、环境以及地磁等因素影响。
- 在失控返航过程中，若光照条件欠佳（光照小于 15lux 或者光照大于 10,000lux）时，飞行器将不能自主躲避障碍物。切勿依赖视觉系统。请保持对飞行器的监控，必要时建议用户操控遥控器躲避障碍物，或短按遥控器智能返航按键以取消返航。
- 失控返航时，如电量允许，飞行器将首先返回至无线信号中断前的位置点，再直线返回最近记录的返航点。因此，在启动失控返航之后，飞行器有可能向返航点的反方向飞行。

低电量

注意

- 严重低电量报警发出后，飞行器将自行下降。此时，用户仍可以推油门杆拉升飞行高度并控制飞行器航向，使之飞行至合适场所再降落。
- 当低电量报警发出时，务必将飞行器在安全地点降落，以防止飞行器失去动力后对飞行器、人以及动物造成危险。

D-RTK（适用于 M210 RTK）

注意

- 使用原厂配件或经过 DJI 认证的配件。使用非原厂配件有可能对系统的安全使用造成危险。
- 请在开阔、不受无线电干扰的环境中使用 D-RTK™。使用过程中切勿遮挡 D-RTK 天线，并保持 D-RTK 天空端的天线高度一致。
- 请勿过度弯曲和折叠 D-RTK 天线馈线。
- 请勿使任何异物进入 D-RTK，包括但不限于液体、油、沙土等。

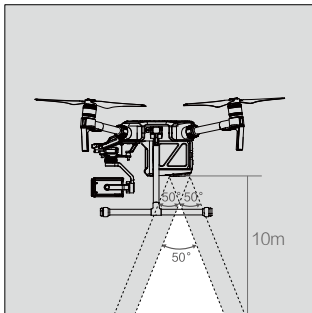
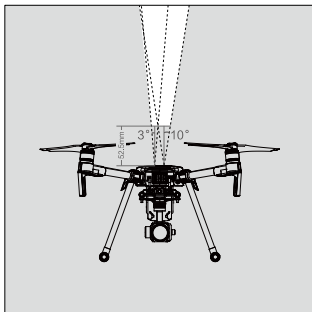
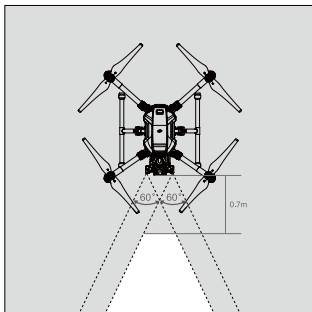
视觉系统与红外感知系统

注意

- 视觉系统无法在没有纹理特征的表面上正常工作，使用视觉系统时，飞行器最高飞行高度为 10 米。在 0.3 米以下快速飞行时，视觉系统可能无法正常工作。
- 视觉系统在水面上可能无法正常工作。因此，当降落功能触发时，飞行器可能无法主动回避下方水域。建议用户对飞行保持全程控制，并根据周围环境进行合理判断，不过度依赖视觉系统。
- 由于视觉系统会发出人耳无法识别的超声波，该超声波或会引起动物不安，使用时请远离动物。
- 在以下场景下视觉系统无法正常工作：
 - 纯色表面（例如纯黑、纯白、纯红、纯绿）。
 - 有强烈反光或者倒影的表面。
 - 飞行器速度不宜过快，如离地 1 米处时飞行速度不可超过 5 米 / 秒，离地 2 米不可超过 14 米 / 秒。
 - 水面或者透明物体表面。
 - 运动物体表面（例如人流上方、大风吹动的灌木或者草丛上方）。
 - 光照剧烈快速变化的场景。
 - 在特别暗（光照小于 15lux）或者特别亮（光照大于 10,000lux）的物体表面。
 - 对超声波有很强吸收作用的材质表面（例如很厚的地毯）。
 - 纹理特别稀疏的表面。
 - 纹理重复度很高的物体表面（例如颜色相同的小格子砖）。
 - 倾斜度超过 30 度的物体表面（不能收到超声波回波）。
 - 细小的障碍物（红外反射能量较少）。
- 如果遥控器与飞行器断开，且此时 GPS 信号较差，且飞行器失去对返航位置的判断，但视觉系统工作正常，则飞行器将悬

停 8 秒后自动降落。

- 如果飞行器受到强烈碰撞，则有可能导致需要视觉系统重新校准。详情请参阅用户手册。
- 请注意视觉系统与红外感知系统的盲区（灰色）。飞行器无法主动规避存在于盲区内的障碍物。



下视视觉系统仅用来进行定位。

- 请勿以任何方式干扰视觉系统及红外感知系统（在飞行器附近开启其他 40 KHz 超声波设备将干扰视觉系统），并确保传感器镜头头清晰无污点。
- 主动刹车功能在飞行器姿态角大于 25 度，或飞行速度高于 14 米 / 秒的情况下将无法正常工作。

指点飞行

小心

为避免可能的伤害和损失，务必遵守以下各项：

1. 请勿指示飞行器飞向人、动物、细小物体（如：树枝或电线等）、或透明物体（如：玻璃或水等）。
2. 始终留意来自飞行器四周的物体并通过手动操作来避免事故（如：碰撞）。
3. 时刻准备在紧急情况下拨动遥控器摇杆以手动控制飞行器。请务必注意此时飞行器还处于智能飞行模式状态，如需完全退出智能飞行模式，请按遥控器上方的停止按钮或点击屏幕上方的停止按键。

注意

1. 用户选定的指点飞行的方向与飞行器实际飞行的方向可能存在误差。
2. 用户在屏幕上可以选择的指点飞行的范围是有限的，在靠近操作界面上部或下部边界处点击时可能无法进行指点飞行。
3. 指点飞行模式在水面上或积雪覆盖区域可能无法正常工作。
4. 在光照条件特别暗（光照小于 300lux）或者特别亮（光照大于 10,000lux）的条件下，本模式功能可能无法实现，请谨慎使用。

智能跟随

1. 请在飞行器的跟随路径上始终避开他人、动物、细小物体（如：树枝或电线等）、或透明物体（如：玻璃或水等）。
2. 始终留意来自飞行器四周的物体并通过手动操作来避免事故（如碰撞）及对飞行器的遮挡。
3. 时刻准备在紧急情况下拨动遥控器摇杆以手动控制飞行器。请务必注意此时飞行器还处于智能飞行模式状态，如需完全退出智能飞行模式，请按遥控器上方的停止按钮或点击屏幕上方的停止按键。

注意

1. 在以下场景下视觉系统无法正常工作，不建议使用智能跟随模式：
 - a. 当被跟随物体的移动不在水平的地面上时；
 - b. 当被跟随物体在移动时产生大幅度形变的；
 - c. 当被跟随物体被长时间遮挡或位于视线外；
 - d. 当被跟随物体在积雪覆盖的区域；
 - e. 在特别暗（光照小于 300lux）或者特别亮（光照大于 10,000lux）的时候；
 - f. 当被跟随物体与周围的环境颜色或图案非常相近时。
2. 用户在使用智能跟随模式时，请务必遵守当地的法律法规对隐私权的规定。

法律规范与飞行限制

法律规范

警告

为避免违法行为、可能的伤害和损失，务必遵守以下各项：

1. 切勿在载人飞机等民用航空器附近飞行。必要时立即降落。
2. 禁止在人口密集地区使用飞行器。这些地区包括：城市、体育比赛场馆、展会、演唱会。
3. 确保飞行器飞行时不会对航线上大型载人飞行器造成影响。时刻保持警惕并躲避其他飞行器。

小心

为避免违法行为、可能的伤害和损失，务必遵守以下各项：

1. 禁止操控飞行器使之进入法律法规规定的禁飞区。禁飞区可能包括：机场、边境线以及主要城市。
2. 禁止在超过限定高度的空域飞行。
3. 确保飞行器在您的视距范围内飞行，若有必要可安排观察员帮助您监控飞行器位置。
4. 禁止使用飞行器搭载任何违法危险物品。

注意

1. 确保您已清楚了解飞行活动的类别（例如：娱乐、公务或商务）。在飞行前务必获取相关部门颁发的许可证。如有必要，可向当地法务工作者咨询飞行活动类别的详细定义说明。请注意，在某些地区与国家禁止使用飞行器进行任何形式的商业行为。
2. 禁止在敏感建筑设施，例如：发电站、水电站、监狱、交通要道、政府大楼以及军事设施附近使用飞行器。
3. 使用飞行器进行拍摄时务必尊重他人隐私权。禁止使用本产品进行任何未经授权的监视活动，这些活动包括但不限于对他人、团体、活动、表演、展会或楼宇进行监视。
4. 请注意，在某些地区与国家，尽管不是出于商业目的，但是使用相机对他人、团体、活动、表演、展会等进行录像或者拍照也将侵犯版权、隐私权或者他人的其他合法权益。在某些地区与国家，小型航拍模型亦被禁止参与任何商业行为。因此，使用之前请仔细了解并遵循当地法律法规。

飞行限制

注意

DJI 一贯强调飞行安全，为了达到该目的，DJI 提供了多种技术手段以协助用户能够在符合本地法律法规的框架下安全使用飞行器。强烈建议用户从 DJI 官网下载并安装最新版本的固件，以确保飞行限制功能可以正常使用。飞行限制功能包括：

飞行限制区域

1. 飞行限制区域包括但不仅限于国际大型机场、两国边境线以及大城市及区域等。
2. 用户可以通过访问 <http://flysafe.dji.com/no-fly> 查询关于飞行限制区域的列表，请注意该列表将随时更新以适应本地法律法规。用户可能还需向空管、公安等政府部门确认在飞行地是否属于限制区域以确保合法飞行。
3. 某些飞行限制区域是由多个子区域组成。每个子区域有自己的区域半径。飞行器在最靠近机场的禁飞区域内时将无法起飞。当飞行器在禁飞区外的限高区域飞行时，飞行高度将受到限制，限飞高度随着靠近“禁飞区”的距离呈线性递减。另外，用户将无法在限制飞行区域内使用地面站功能。
4. 用户无法在飞行限制区域内设置航点。

高度限制

1. 保持飞行高度在 120 米以下，飞行时飞行器应远离任何高大建筑物。
2. 如果需要在默认限定高度以上的场所飞行，用户需要阅读并点击从 App 中弹出的免责声明后方可进行余下的操作。用户清楚并了解，如果设定了新的飞行高度，则本次操作的选择将会上传至 DJI 指定的服务器上。

内容如有更新，恕不另行通知。

您可以在 DJI 官方网站查询最新版本
www.dji.com/matrice-200-series

MATRICE 是大疆创新的商标
Copyright © 2017 大疆创新 版权所有

Compliance Information

FCC Compliance Notice

This device complies with Part 15 of the FCC Rules. Operation is subject to the following two conditions: (1) This device may not cause harmful interference, and (2) This device must accept any interference received, including interference that may cause undesired operation.

Any changes or modifications not expressly approved by the party responsible for compliance could void the user's authority to operate the equipment.

This equipment has been tested and found to comply with the limits for a Class B digital device, pursuant to part 15 of the FCC Rules. These limits are designed to provide reasonable protection against harmful interference in a residential installation. This equipment generates, uses and can radiate radio frequency energy and, if not installed and used in accordance with the instructions, may cause harmful interference to radio communications. However, there is no guarantee that interference will not occur in a particular installation. If this equipment does cause harmful interference to radio or television reception, which can be determined by turning the equipment off and on, the user is encouraged to try to correct the interference by one or more of the following measures:

- Reorient or relocate the receiving antenna.
- Increase the separation between the equipment and receiver.
- Connect the equipment into an outlet on a circuit different from that to which the receiver is connected.
- Consult the dealer or an experienced radio/TV technician for help.

RF Exposure Information

This equipment complies with FCC radiation exposure limits set forth for an uncontrolled environment. In order to avoid the possibility of exceeding the FCC radio frequency exposure limits, human proximity to the antenna shall not be less than 20cm during normal operation.

IC RSS Warning

This device complies with Industry Canada licence-exempt RSS standard (s). Operation is subject to the following two conditions: (1) this device may not cause interference, and (2) this device must accept any interference, including interference that may cause undesired operation of the device.

Le présent appareil est conforme aux CNR d'Industrie Canada applicables aux appareils radio exempts de licence.

- L'exploitation est autorisée aux deux conditions suivantes:
- (1) l'appareil ne doit pas produire de brouillage, et
 - (2) l'utilisateur de l'appareil doit accepter tout brouillage radioélectrique subi, même si le brouillage est susceptible d'en compromettre le fonctionnement.

IC Radiation Exposure Statement:

This equipment complies with IC RF radiation exposure limits set forth for an uncontrolled environment. This transmitter must not be co-located or operating in conjunction with any other antenna or transmitter.

This equipment should be installed and operated with minimum distance 20cm between the radiator & your body.

Any Changes or modifications not expressly approved by the party responsible for compliance could void the user's authority to operate the equipment.

KCC Warning Message

"해당 무선설비는 운용 중 전파혼신 가능성이 있으므로 인명안전과 관련된 서비스는 할 수 없습니다."

"해당 무선설비는 운용 중 전파혼신 가능성이 있음"

NCC Warning Message

低功率電波輻射性電機管理辦法

第十二條 經型式認證合格之低功率射頻電機，非經許可，公司、商號或使用者均不得擅自變更頻率、加大功率或變更原設計之特性及功能。

第十四條 低功率射頻電機之使用不得影響飛航安全及干擾合法通信；經發現有干擾現象時，應改善至無干擾時方得繼續使用。前項合法通信，指依電信法規定作業之無線電通信。低功率射頻電機須忍受合法通信或工業、科學及醫療用電波輻射性電機設備之干擾。

EU Compliance Statement: SZ DJI TECHNOLOGY CO., LTD. hereby declares that this device is in compliance with the essential requirements and other relevant provisions of the RED Directive.

A copy of the EU Declaration of Conformity is available online at www.dji.com/euro-compliance

Declaración de cumplimiento UE: SZ DJI TECHNOLOGY CO., LTD. por la presente declara que este dispositivo cumple los requisitos básicos y el resto de provisiones relevantes de la Directiva RED. Hay disponible online una copia de la Declaración de conformidad UE en www.dji.com/euro-compliance

EU-verklaring van overeenstemming: SZ DJI TECHNOLOGY CO., LTD. verklaart hierbij dat dit apparaat voldoet aan de essentiële vereisten en andere relevante bepalingen van Richtlijn RED.

De EU-verklaring van overeenstemming is online beschikbaar op www.dji.com/euro-compliance

Declaração de conformidade da UE: A SZ DJI TECHNOLOGY CO., LTD. declara, através deste documento, que este dispositivo está em conformidade com os requisitos essenciais e outras disposições relevantes da Diretiva RED.

Existe uma cópia da Declaração de conformidade da UE disponível online em www.dji.com/euro-compliance

Dichiarazione di conformità UE: SZ DJI TECHNOLOGY CO., LTD. dichiara che il presente dispositivo è conforme ai requisiti essenziali e alle altre disposizioni rilevanti della direttiva RED.

Una copia della dichiarazione di conformità UE è disponibile online all'indirizzo Web www.dji.com/euro-compliance

Déclaration de conformité UE : Par la présente, SZ DJI TECHNOLOGY CO., LTD déclare que cet appareil est conforme aux principales exigences et autres clauses pertinentes de la directive européenne RED.

Une copie de la déclaration de conformité UE est disponible sur le site www.dji.com/euro-compliance

EU-Compliance: Hiermit erklärt SZ DJI TECHNOLOGY CO., LTD., dass dieses Gerät den wesentlichen Anforderungen und anderen einschlägigen Bestimmungen der EU-Richtlinie RED entspricht. Eine Kopie der EU-Konformitätserklärung finden Sie online auf www.dji.com/euro-compliance.

Заявление о соответствии требованиям ЕС SZ DJI TECHNOLOGY CO., LTD. настоящим подтверждает, что данное устройство выполнено в строгом соответствии с основополагающими требованиями и другими актуальными предписаниями Директивы RED. С полным текстом официальной декларации о соответствии требованиям ЕС можно ознакомиться на веб-сайте компании DJI по адресу www.dji.com/euro-compliance



EU contact address: DJI GmbH, Industriestrasse, 12, 97618, Niederlauer, Germany

CAUTION: RISK OF EXPLOSION IF BATTERY IS REPLACED BY AN INCOMPATIBLE TYPE. DISPOSE OF USED BATTERIES ACCORDING TO THE INSTRUCTIONS

Environmentally friendly disposal



Old electrical appliances must not be disposed of together with the residual waste, but have to be disposed of separately. The disposal at the communal collecting point via private persons is for free. The owner of old appliances is responsible to bring the appliances to these collecting points or to similar collection points. With this little personal effort, you contribute to recycle valuable raw materials and the treatment of toxic substances.

Thailand Warning Message

เครื่องโทรคมนาคมและอุปกรณ์นี้ มีความสอดคล้องตามข้อกำหนดของ กทท.

If you have any questions about this document, please contact DJI by sending a message to DocSupport@dji.com.

YC.BZ.S01553.03

Printed in China.